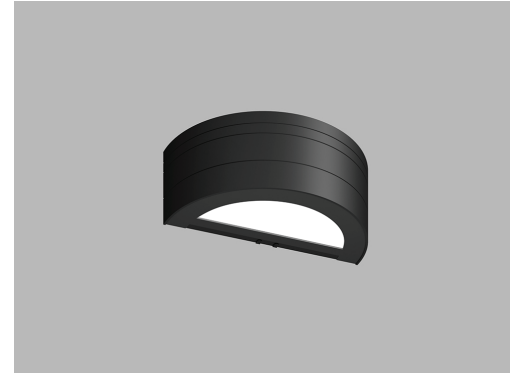




Date
Quote #
Project Name
Type



CSM - Wall Mount

Description:

Die-cast aluminum housing. Hinged door cover with silicone sealed lens. All external hardware is stainless-steel.

Name - Engine - Lumens - CCT - Electrical - Mounting - Lens - Pattern - Options - Finish

Name	Light Engine	Source Lumens _{(LED)(5000K)}	Color Temp	Electrical
CSM	42W LED (Max)	5460	3000K	UNV 120-277V
	42W U/42W D LED (Max)	10920	3500K	HLV 347-480V
			4000K	
			5000K	

Contact for custom Contact for custom Contact for custom

Mounting		Lens		Light Pattern		Options		Finishes	
WM	Wall mount	CG	Clear glass lens (Std)	D	Down light (Std)	TP	Tamperproof hardware	Standard	
								BL	Black
		CPL	Clear polycarbonate lens	UD	Up and down light	TS	Tamperproof screws	WH	White
								SG	Silver Grey
								BZ	Bronze
		EM	Emergency battery	Custom					
				CC	Custom Color				
DM	0-10V Dimming	See website for custom colors. Contact factory for physical samples.							
PC	Button photocell								
WL	Wet location								
RGBW	Programmable color changing LEDs								

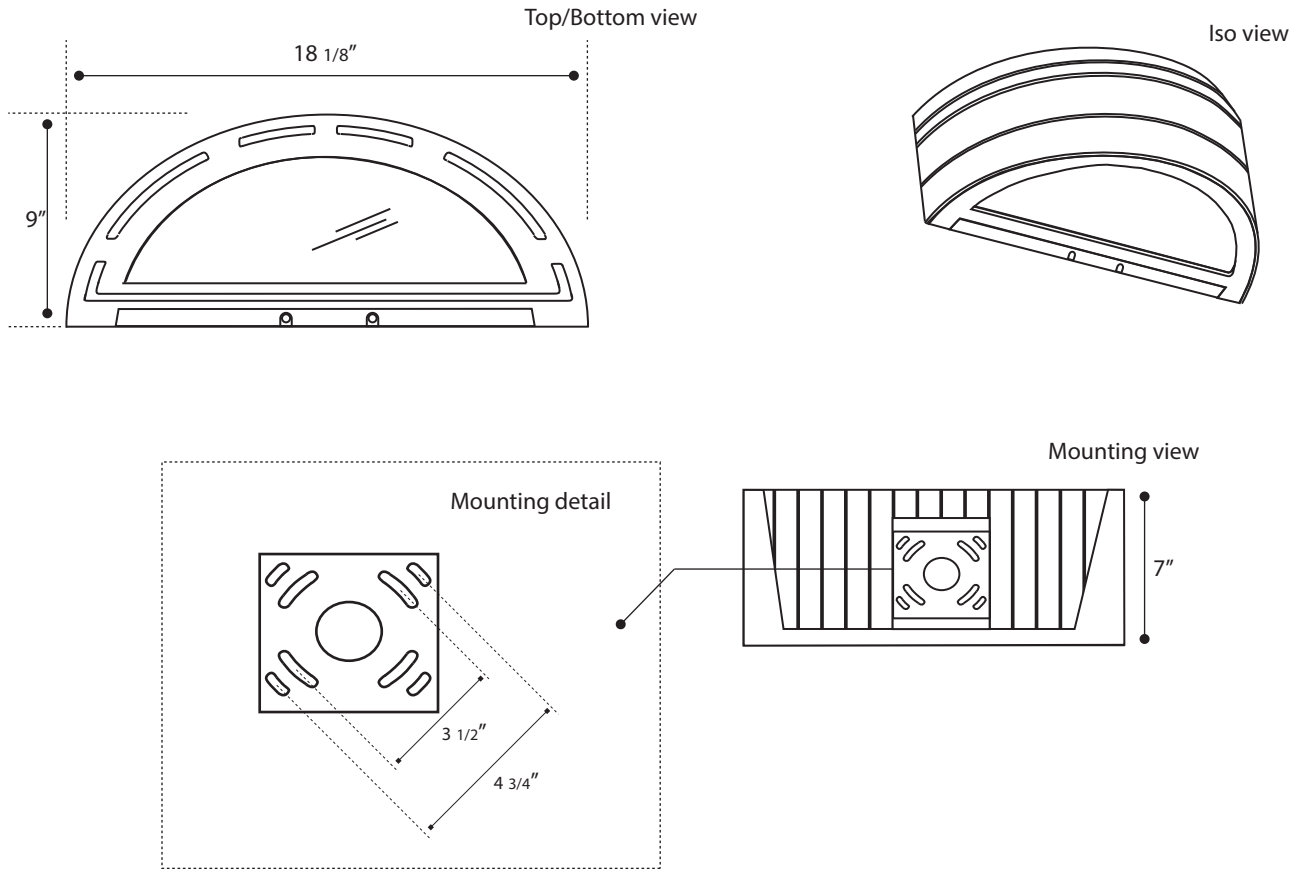
- Lumens are based on max wattage & 5000K CCT
- IES files available upon request
- Std - Standard Offering





Dimensions & Mounting:

Please note that drawings are not to scale.



Listing:

Complies to CSA and UL standards.

Polar Graph:

