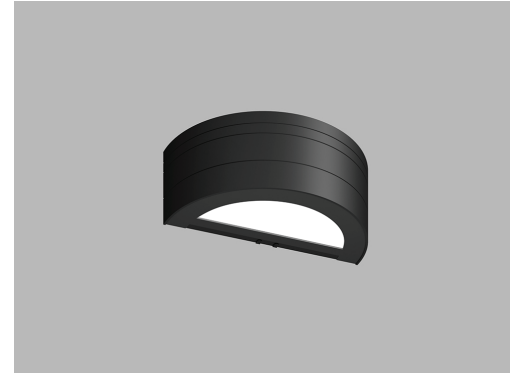




|              |
|--------------|
| Date         |
| Quote #      |
| Project Name |
| Type         |



## CSM - Wall Mount

### Description:

Die-cast aluminum housing. Hinged door cover with silicone sealed lens. All external hardware is stainless-steel.

|                      |                      |                      |                      |                      |                      |                      |                      |                      |                      |
|----------------------|----------------------|----------------------|----------------------|----------------------|----------------------|----------------------|----------------------|----------------------|----------------------|
| Name                 | Engine               | Lumens               | CCT                  | Electrical           | Mounting             | Lens                 | Pattern              | Options              | Finish               |
| <input type="text"/> | <input type="text"/> | <input type="text"/> | <input type="text"/> | <input type="text"/> | <input type="text"/> | <input type="text"/> | <input type="text"/> | <input type="text"/> | <input type="text"/> |

| Name | Light Engine          | Source Lumens <sub>(LED)(5000K)</sub> | Color Temp | Electrical   |
|------|-----------------------|---------------------------------------|------------|--------------|
| CSM  | 42W LED (Max)         | 5460                                  | 3000K      | UNV 120-277V |
|      | 42W U/42W D LED (Max) | 10920                                 | 3500K      | HLV 347-480V |
|      |                       |                                       | 4000K      |              |
|      |                       |                                       | 5000K      |              |

Contact for custom

Contact for custom

Contact for custom

| Mounting |                                  | Lens   |                          | Light Pattern |                   | Options |                      | Finishes |             |
|----------|----------------------------------|--|--------------------------|---------------|-------------------|---------|----------------------|----------|-------------|
| WM       | Wall mount                       | CG   | Clear glass lens (Std)   | D             | Down light (Std)  | TP      | Tamperproof hardware | Standard |             |
|          |                                  |  |                          |               |                   |         |                      | BL       | Black       |
|          |                                  | CPL  | Clear polycarbonate lens | UD            | Up and down light | TS      | Tamperproof screws   | WH       | White       |
|          |                                  |  |                          |               |                   |         |                      | SG       | Silver Grey |
|          |                                  |  |                          |               |                   |         |                      | BZ       | Bronze      |
|          |                                  | EM   | Emergency battery        | Custom        |                   |         |                      |          |             |
|          |                                  |  |                          | CC            | Custom Color      |         |                      |          |             |
| DM       | 0-10V Dimming                    | See website for custom colors. Contact factory for physical samples. |                          |               |                   |         |                      |          |             |
| PC       | Button photocell                 |  |                          |               |                   |         |                      |          |             |
| WL       | Wet location                     |  |                          |               |                   |         |                      |          |             |
| RGBW     | Programmable color changing LEDs |  |                          |               |                   |         |                      |          |             |

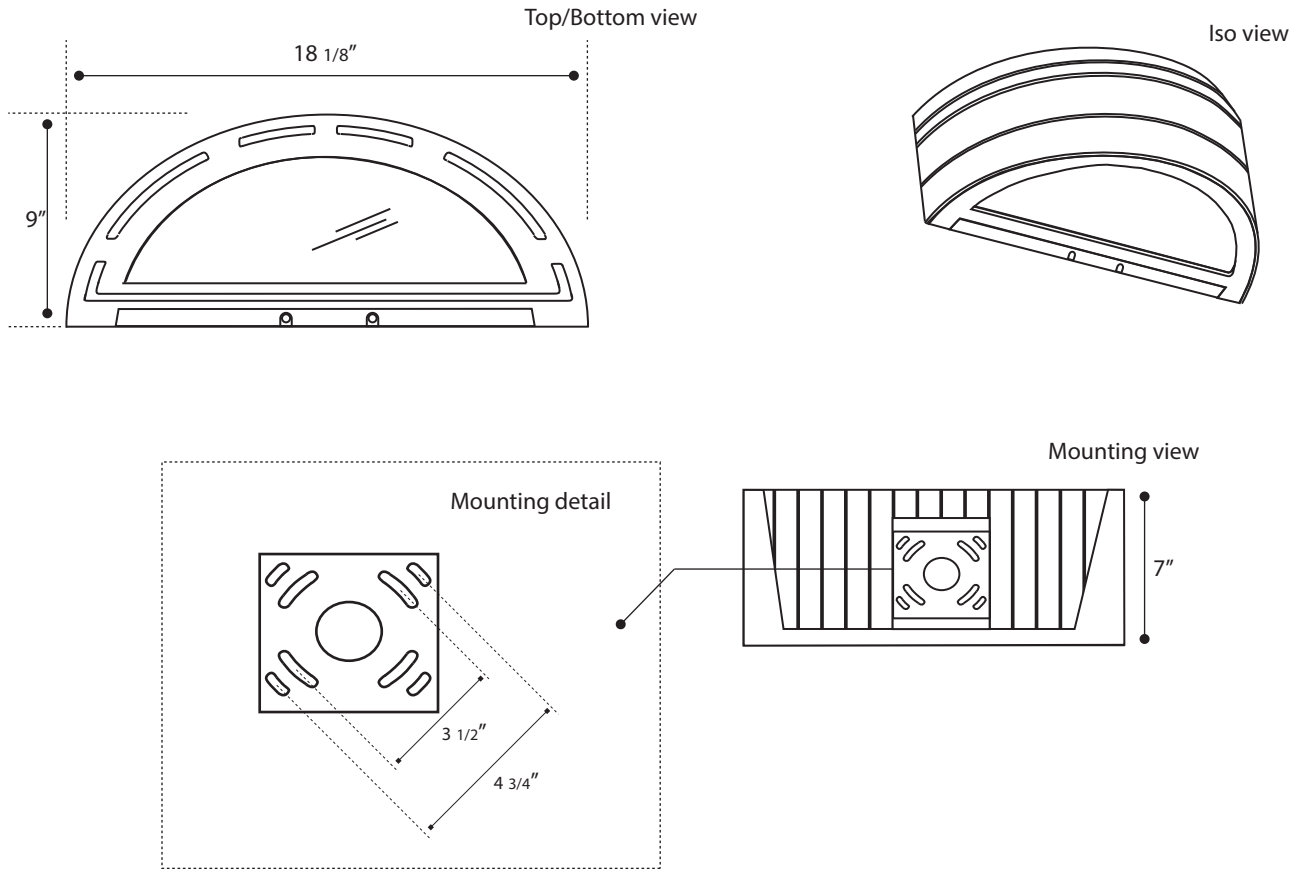
- Lumens are based on max wattage & 5000K CCT
- IES files available upon request
- Std - Standard Offering





**Dimensions & Mounting:**

Please note that drawings are not to scale.



**Listing:**

Complies to CSA and UL standards.

**Polar Graph:**

