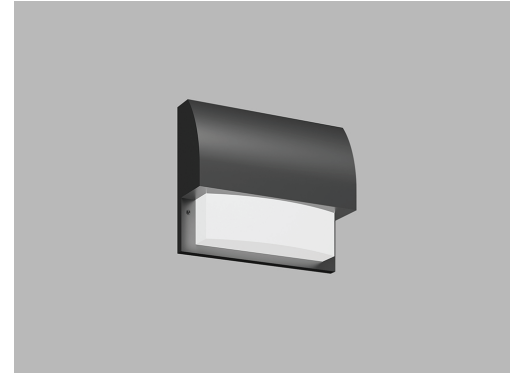




Date
Quote #
Project Name
Type



CORVUS - Wall Mount

Description:

Compact wall mount luminaire. Cast aluminum housing with silicone sealed lens. All external hardware is stainless-steel.

Name	Engine	Lumens	CCT	Electrical	Mounting	Lens	Pattern	Options	Finish
<input type="text"/>	<input type="text"/>	<input type="text"/>	<input type="text"/>	<input type="text"/>	<input type="text"/>	<input type="text"/>	<input type="text"/>	<input type="text"/>	<input type="text"/>

Name	Light Engine	Source Lumens _{(LED)(5000K)}	Color Temp	Electrical
CORVUS	3W LED (Max)	528	3000K	UNV 120-277V
			3500K	HLV 347-480V
			4000K	
			5000K	
	Contact for custom	Contact for custom	Contact for custom	

Mounting	Lens	Light Pattern	Options	Finishes
WM Wall mount	OPL Opal polycarbonate lens	FT Forward throw	SD Step dimming	Standard
R Recessed in dry wall			MS Motion sensor	BL Black
RTC Recessed in concrete			SF Single fuse	WH White
			TP Tamperproof hardware	SG Silver Grey
			TS Tamperproof screws	BZ Bronze
			RGBW Programmable color changing LEDs	CC Custom Color
				See website for custom colors. Contact factory for physical samples.

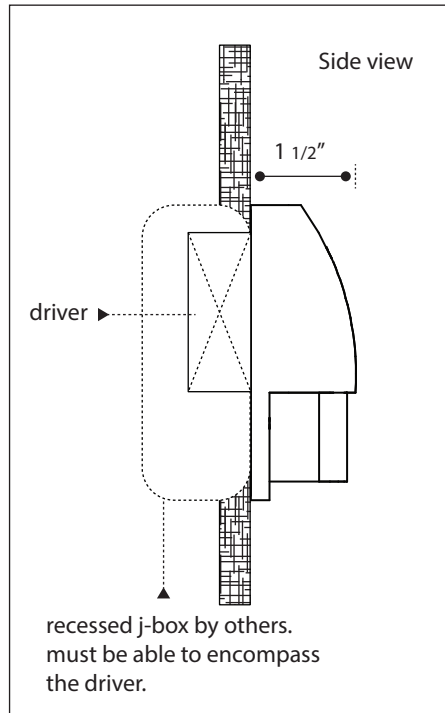
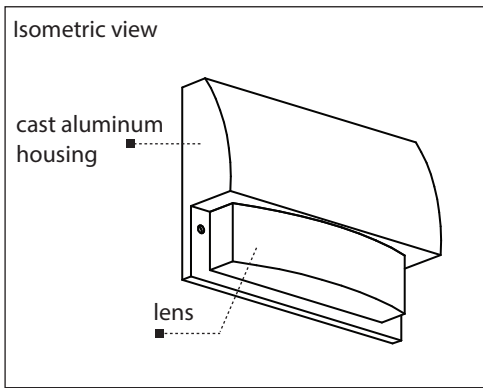
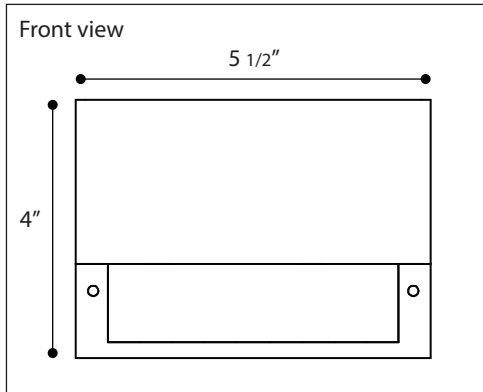
- Lumens are based on max wattage & 5000K CCT
- IES files available upon request
- Std - Standard Offering





Dimensions & Mounting:

Please note that drawings are not to scale.



Listing:

Complies to CSA and UL standards.

Polar Graph:

