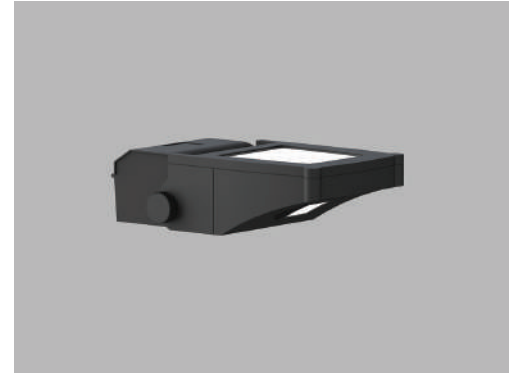




Date
Quote #
Project Name
Type



COMAC - Wall Mount

Description:

COMAC is an adjustable wall mount luminaire. The door frame design also offers ease of maintenance. Available with a Lexan Lens for vandal proof applications.

Name - Engine - Lumens - CCT - Electrical - Mounting - Lens - Pattern - Options - Finish

Name	Light Engine	Source Lumens _{(LED)(5000K)}	Color Temp	Electrical
COMAC	30W LED (Max)	3900	3000K	UNV 120-277V
			3500K	HLV 347-480V
			4000K	
			5000K	
	Contact for custom	Contact for custom	Contact for custom	

Mounting	Lens	Light Pattern	Options	Finishes
WM Wall mount	CPL Clear polycarbonate lens	U Up light (Std)	TP Tamperproof hardware	Standard
	CG Clear glass lens	UD Up and down light (comes with down light window)	TS Tamperproof screws	BL Black
	LE Lexan lens (vandal proof)		SF Single fuse	WH White
			WL Wet location	SG Silver Grey
				BZ Bronze
				Custom
				CC Custom Color
				See website for custom colors. Contact factory for physical samples.

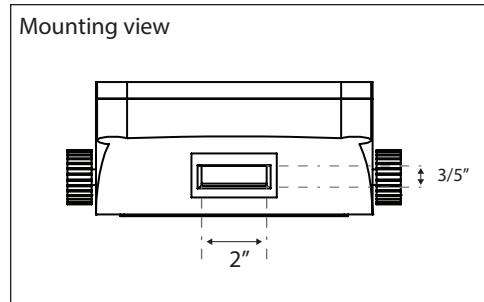
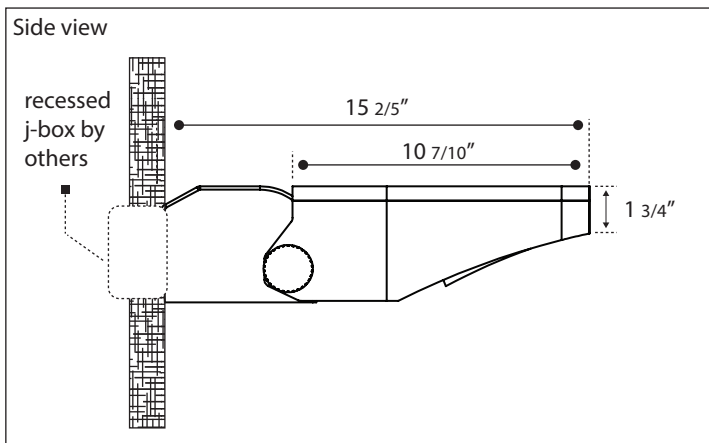
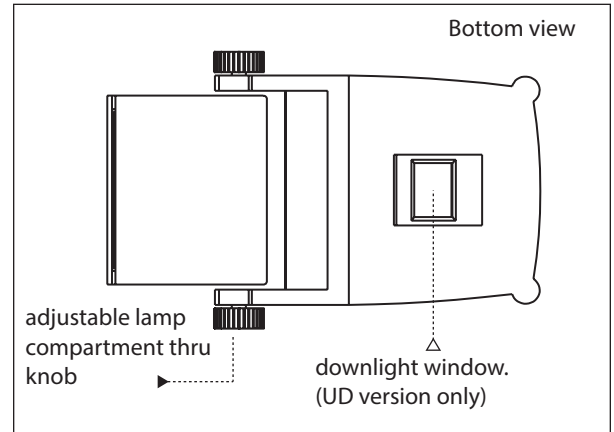
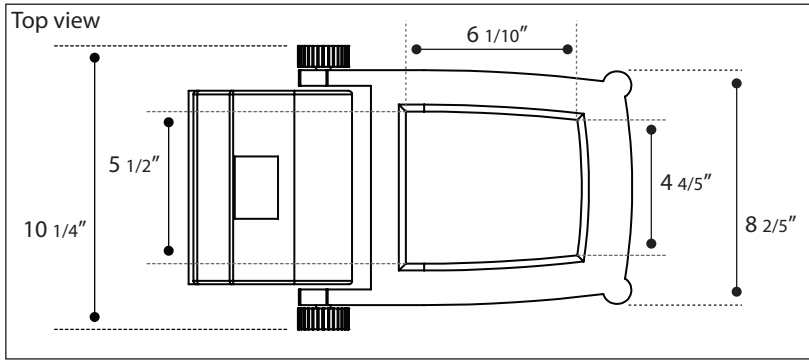
- Lumens are based on max wattage & 5000K CCT
- IES files available upon request
- Std - Standard Offering





Dimensions & Mounting:

Please note that drawings are not to scale.



Listing:

Complies to CSA and UL standards.

Polar Graph:

