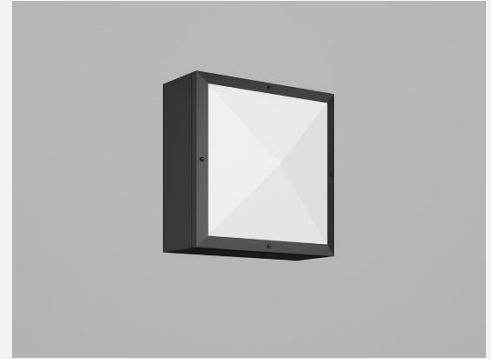


Date:

Type:

Project:



CMAQ – WALL MOUNT

Die case aluminum housing with a full-face pyramid lens.

Name	Light Engine	Source Lumens* (LED, 5000K)	Color Temp	Electrical		Mounting	
				UNV	120-277V	WM	Wall Mount
CMAQ	60 LED (Max)	2909	3000K	UNV	120-277V	WM	Wall Mount
	70MH	Contact for custom	4000K	HLV	347-480V		
	2CFL42		5000K	TT	Tri-Tap (TT)		
	Contact for other wattages			MT	Multi-Tap (MT)		
				Specify other			

Lens		Light Pattern		Options		Finishes	
OAL	Opal Acrylic Lens (Std)	F	Front Light	PC	Button photocell, voltage specific	BL	Black
				SF	Single Fuse	WH	White
				TP	Tamperproof hardware	SG	Silver Grey
				TS	Tamperproof Screws	BZ	Bronze
				WL	Wet location	CC	Custom Color
				OPL	Opal Polycarbonate Lens		See finishes info on website

*Lumens are based on Max Wattage and 5000K CCT
 *IES files available upon request
 Std – Standard Offering

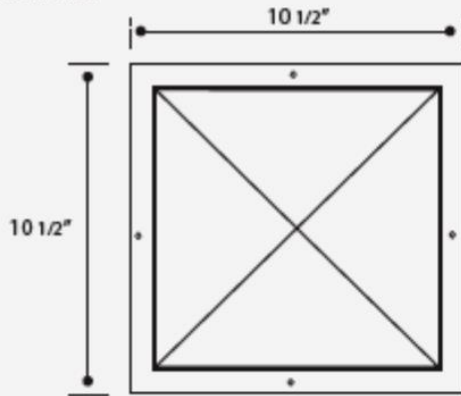
CMAQ- _____

Customization Notes:

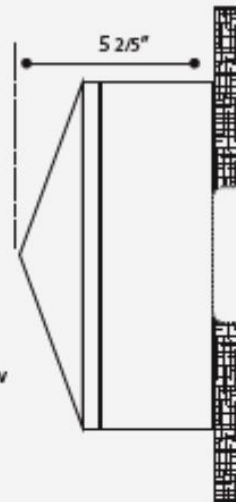
Dimensions & Mounting:

Please note that drawings are not to scale.

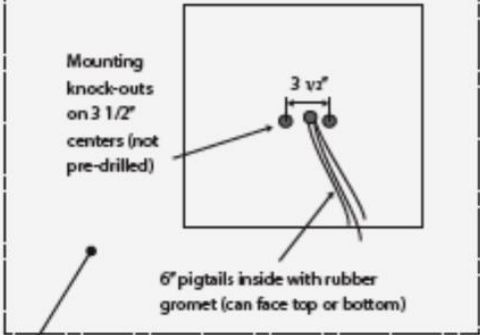
Front view



Side view



Mounting detail



Listing:

Complies to CSA and UL standards.

Polar Graph:

