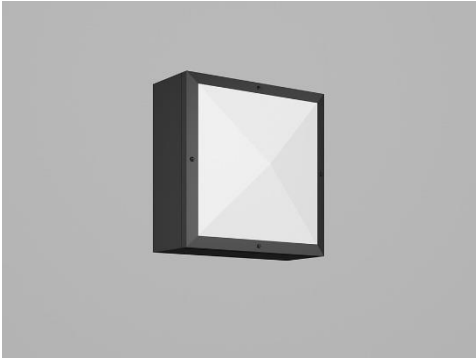


**Date:**  
**Type:**  
**Project:**



**CMAQ – WALL MOUNT**

Die case aluminum housing with a full-face pyramid lens.

Name	Light Engine	Source Lumens* (LED, 5000K)	Color Temp	Electrical		Mounting	
CMAQ	60 LED (Max)	2909	3000K	UNV	120-277V	WM	Wall Mount
	70MH		4000K	HLV	347-480V		
	2CFL42	5000K	TT	Tri-Tap (TT)			
			MT	Multi-Tap (MT)			
Contact for other wattages		Contact for custom	Specify other				

Lens		Light Pattern		Options			Finishes
OAL	Opal Acrylic Lens (Std)	F	Front Light	PC	Button photocell, voltage specific	BL	Black
				SF	Single Fuse	WH	White
				TP	Tamperproof hardware	SG	Silver Grey
				TS	Tamperproof Screws	BZ	Bronze
				WL	Wet location	CC	Custom Color
				OPL	Opal Polycarbonate Lens		

[See finishes info on website](#)

\*Lumens are based on Max Wattage and 5000K CCT  
 \*IES files available upon request  
 Std – Standard Offering

CMAQ- \_\_\_\_\_

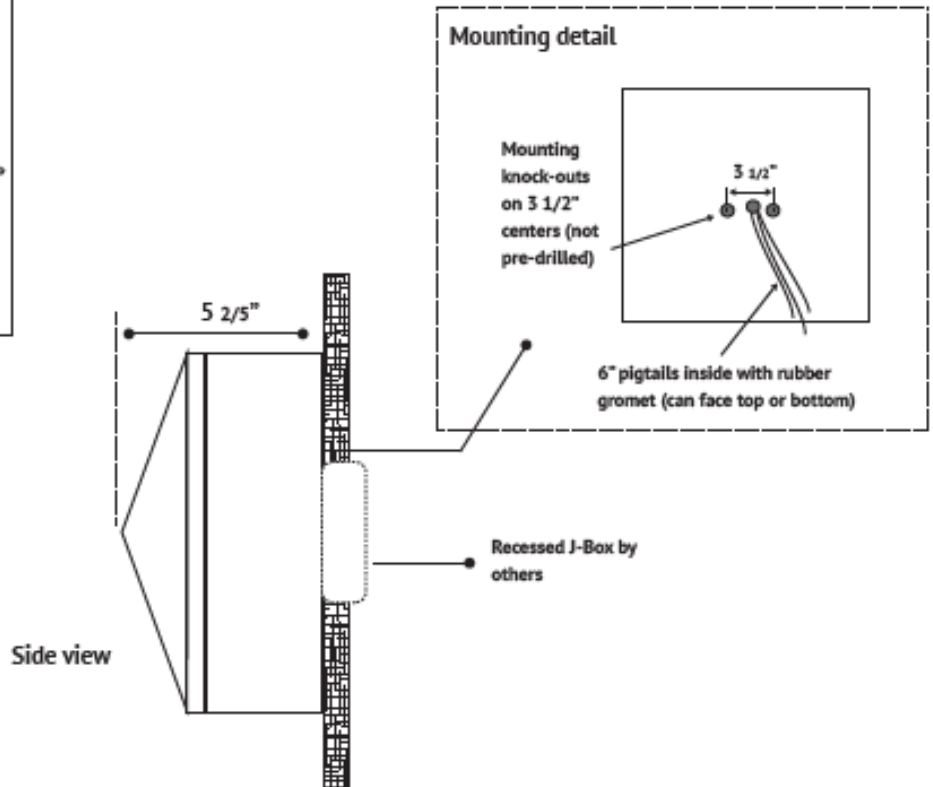
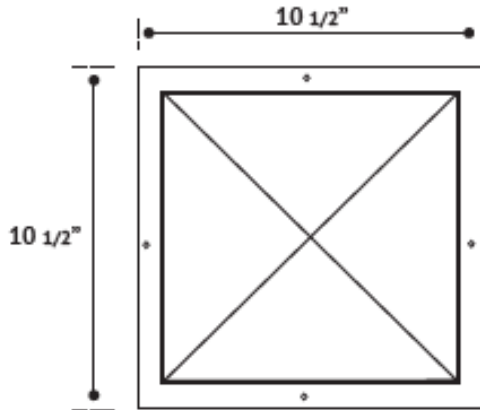
**Customization Notes:**

▶▶▶ Info on this spec sheet will change without notice as product development is an ongoing process.  
 Date modified: 03-25-2024

**Dimensions & Mounting:**

Please note that drawings are not to scale.

Front view



**Listing:**

Complies to CSA and UL standards.

**Polar Graph:**

