



Date
Quote #
Project Name
Type



CIRC-O- Pendant

Description:

Circular ring pendant with lens on the outside of fixture housing. Various mounting systems available. Lens profile is 6 1/4".

Name - Engine - Lumens - CCT - Electrical - Mounting - Lens - Pattern - Options - Finish

Name	Light Engine	Source Lumens _{(LED)(5000K)}	Color Temp	Electrical
CIRC-O-24	24 24W LED	4224	2700K	UNV 120-277V
CIRC-O-36	36 36W LED	6336	3000K	HLV 347-480V
CIRC-O-48	48 48W LED	8448	3500K	
CIRC-O-60	60 60W LED	10560	4000K	
CIRC-O-72	72 72W LED	12672	5000K	
	Higher wattages available (contact factory)	Contact for custom	Contact for custom	

Mounting	Lens	Light Pattern	Options	Finishes
3AC48-CMB 3X48" aircraft cables with individual canopies	OAL Opal acrylic lens	EG Encompassing glow	DM 0-10V dimming DM1 1% dimming	Standard BL Black WH White
3AC48-SPD 3 aircraft cables connect to spider mount hub			2CC 2 circuit wiring	SG Silver Grey BZ Bronze
3AC48-TR 3 aircraft cables converge to a single canopy			SF Single fuse	
3AC48-SPD-P Combination of aircraft cables and stem			EM Emergency battery RB Remote ballast/driver RGBW Programmable color changing LEDs	Custom CC Custom Color See website for custom colors. Contact factory for physical samples.

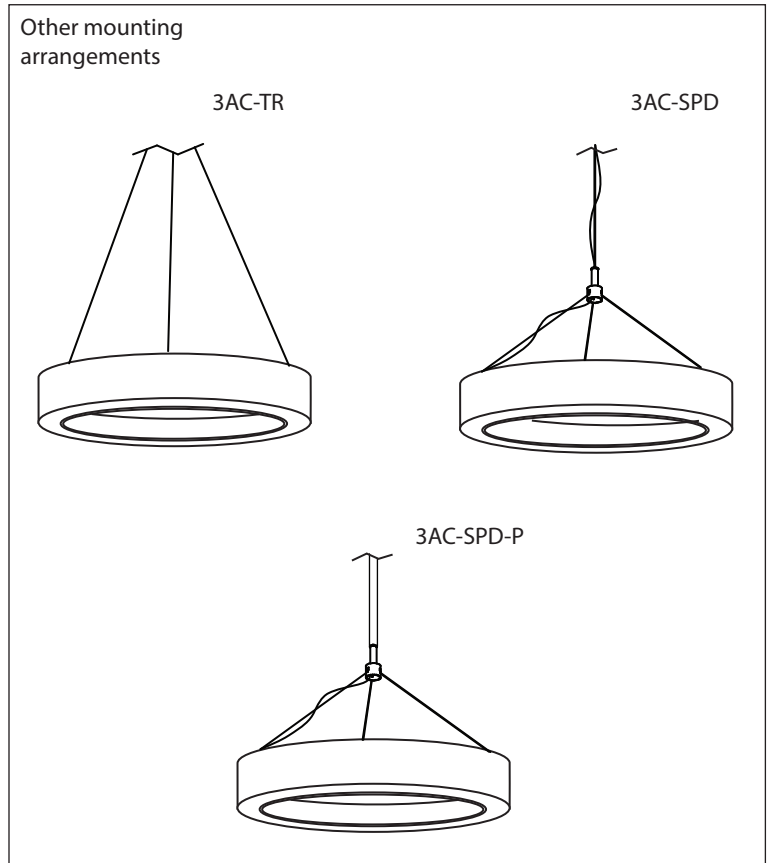
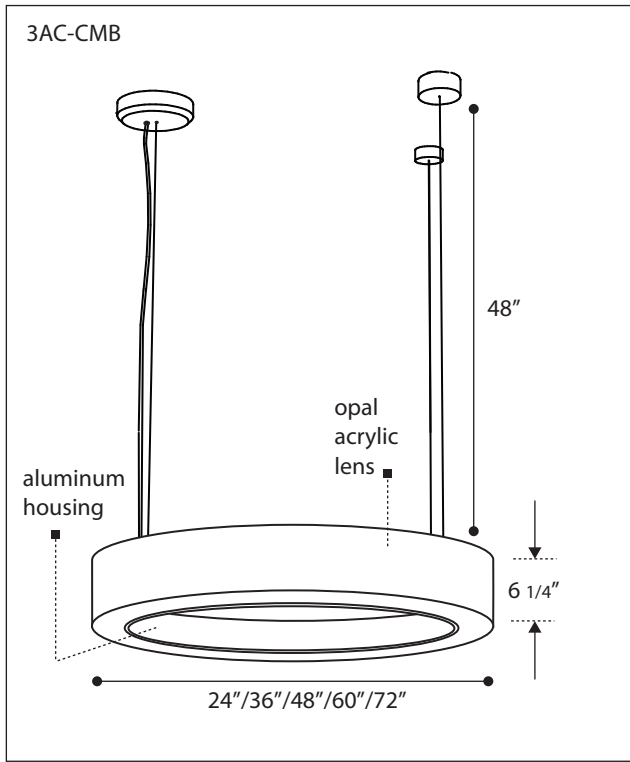
- Lumens are based on max wattage & 5000K CCT
- IES files available upon request
- Std - Standard Offering





Dimensions & Mounting:

Please note that drawings are not to scale.



Listing:

Complies to CSA and UL standards.

Polar Graph:

