



Date
Quote #
Project Name
Type



CIRC-III - Pendant

Description:

Circular ring pendant with lens on the bottom (Std).
 Various mounting systems available. Select between
 a fixture depth of 4" or 6 1/4".

Name - Engine - Lumens - CCT - Electrical - Mounting - Lens - Pattern - Options - Finish

Name	Light Engine	Source Lumens _{(LED)(5000K)}	Color Temp	Electrical
CIRC-III-24	24 24W LED	4224	2700K	UNV 120-277V
CIRC-III-36	36 36W LED	6336	3000K	HLV 347-480V
CIRC-III-48	48 48W LED	8448	3500K	
CIRC-III-60	60 60W LED	10560	4000K	
CIRC-III-72	72 72W LED	12672	5000K	
	Higher wattages available (contact factory)	Contact for custom	Contact for custom	

Mounting	Lens	Light Pattern	Options	Finishes
3AC48- CMB 3X48" aircraft cables with individual canopies	OAL Opal acrylic lens	D Down light (Std)	DM 0-10V dimming	Standard
	ABL Alabaster lens	UD Up and down light	DM1 1% dimming	BL Black
3AC48- SPD 3 aircraft cables connect to spider mount hub			2CC 2 circuit wiring	WH White
			SF Single fuse	SG Silver Grey
3AC48- TR 3 aircraft cables converge to a single canopy			EM Emergency battery	BZ Bronze
			RB Remote ballast/driver	CC Custom Color
3AC48- SPD-P Combination of aircraft cables and stem			RGBW Programmable color changing LEDs	See website for custom colors. Contact factory for physical samples.

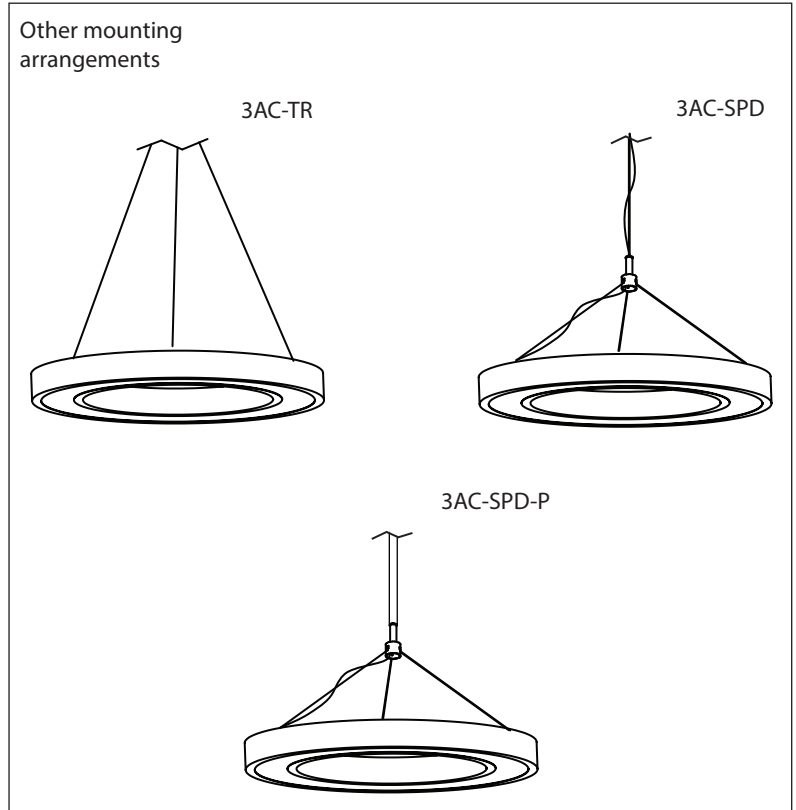
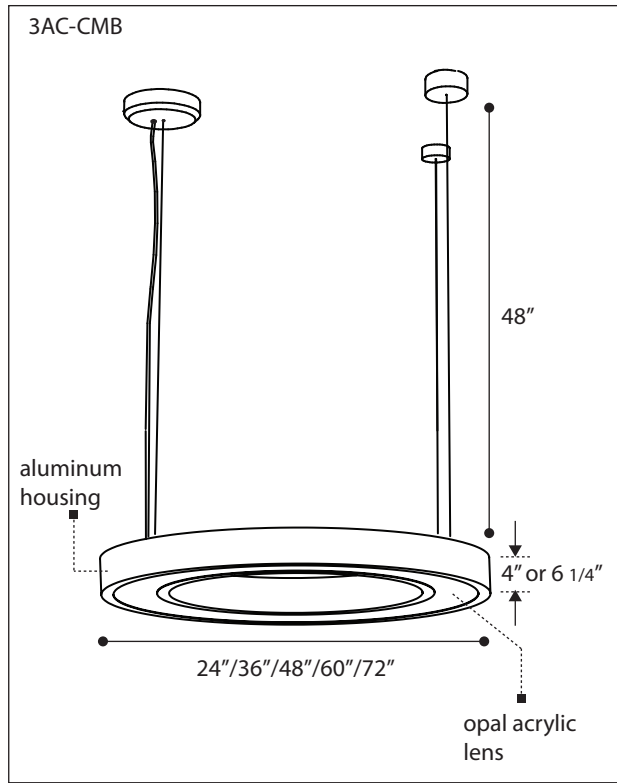
- Lumens are based on max wattage & 5000K CCT
- IES files available upon request
- Std - Standard Offering





Dimensions & Mounting:

Please note that drawings are not to scale.



Listing:

Complies to CSA and UL standards.

Polar Graph:

