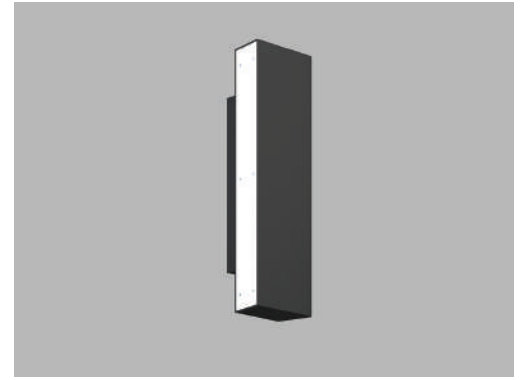




Date
Quote #
Project Name
Type



CEDRO - Wall Mount

Description:

Constructed of fabricated aluminum and opal acrylic lenses. The lenses are silicone sealed to exclude dust and bugs. All external hardware is stainless steel.

Name	Engine	Lumens	CCT	Electrical	Mounting	Lens	Pattern	Options	Finish
<input type="text"/>	<input type="text"/>	<input type="text"/>	<input type="text"/>	<input type="text"/>	<input type="text"/>	<input type="text"/>	<input type="text"/>	<input type="text"/>	<input type="text"/>

Name	Light Engine	Source Lumens _{(LED)(5000K)}	Color Temp	Electrical
CEDRO	8W LED (Max)	1409	3000K	UNV 120-277V
			3500K	HLV 347-480V
			4000K	
			5000K	

Contact for custom

Contact for custom

Contact for custom

Mounting		Lens		Light Pattern		Options		Finishes	
WM	Wall mount	OAL	Opal acrylic lens	S	Side light (Std)	DM	0-10V dimming	Standard	
				F	Front light (Std)	DM1	1% dimming	BL	Black
				FS	Front & side light	TP	Tamperproof hardware	WH	White
						TS	Tamperproof screws	SG	Silver Grey
						SF	Single fuse	BZ	Bronze
						DB	Deep back box	Custom	
						RB	Remote ballast/driver	CC	Custom Color
						RGBW	Programmable color changing LEDs		See website for custom colors. Contact factory for physical samples.

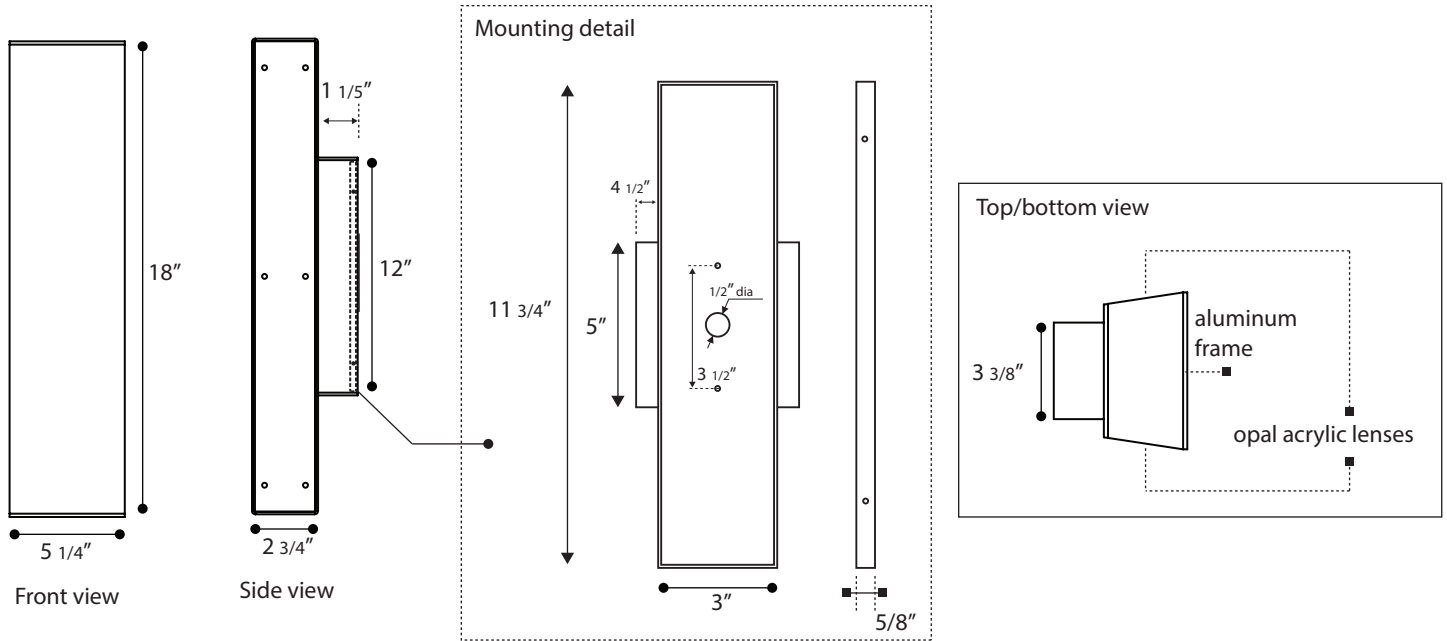
- Lumens are based on max wattage & 5000K CCT
- IES files available upon request
- Std - Standard Offering





Dimensions & Mounting:

Please note that drawings are not to scale.



Listing:

Complies to CSA and UL standards.

Polar Graph:

