



Date
Quote #
Project Name
Type



BULLET - Bollard

Description:

Constructed of pre-cast concrete where top cap is removable for lamping/driver replacement and maintenance.

Name	Engine	Lumens	CCT	Electrical	Mounting	Lens	Pattern	Options	Finish
<input type="text"/>	<input type="text"/>	<input type="text"/>	<input type="text"/>	<input type="text"/>	<input type="text"/>	<input type="text"/>	<input type="text"/>	<input type="text"/>	<input type="text"/>

Name	Light Engine	Source Lumens _{(LED)(5000K)}	Color Temp	Electrical
BULLET	42 LED (Max)	5450	3000K	UNV 120-277V
			3500K	HLV 347-480V
			4000K	
			5000K	

Contact for custom

Contact for custom

Contact for custom

Mounting		Lens		Light Pattern		Options		Finishes	
ABT	Anchor, bolts & template	OPL	Opal polycarbonate lens (Std)	TY5	Type V (Std)	TP	Tamperproof hardware	CONC	Concrete finish Natural grey aggregate is standard. For other aggregates see website.
		CPL	Clear polycarbonate lens	TY3	Type III	PC	Bottom photocell		
				180	180 degrees				

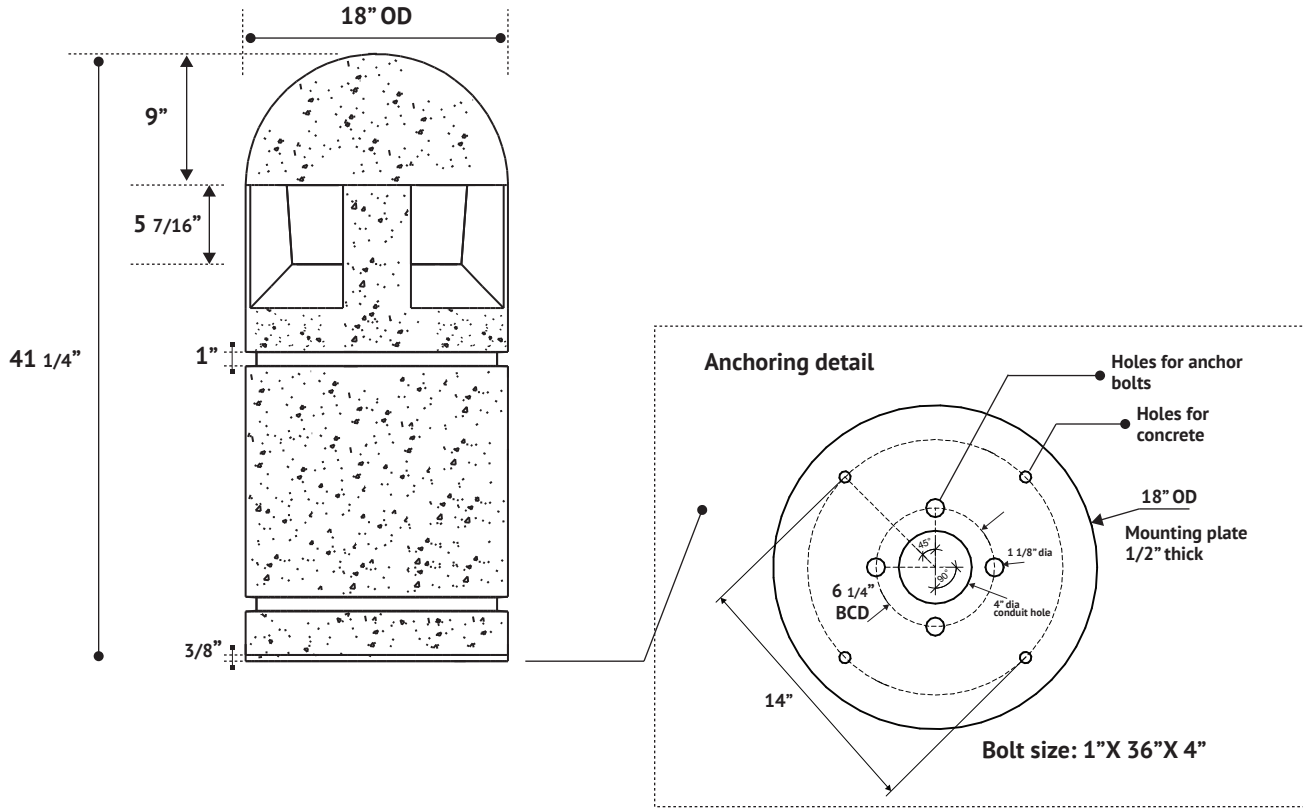
- Lumens are based on max wattage & 5000K CCT
- IES files available upon request
- Std - Standard Offering





Dimensions & Mounting:

Please note that drawings are not to scale.



Listing:

Complies to CSA and UL standards.

Polar Graph:

