

Date:

Type:

Project:



BASICO WALL MOUNT

A sleek surface luminaire made of aluminum extrusion with a concave front. Features customizable laser slit design in front and emits a subtle back glow. Mounting could follow different orientations. Designed for indoors. Contact Solera for outdoor application.

Name	Size	Light Engine	Lumens*	Color Temp	Electrical	Mounting
BASICO	24	20W LED	3520	3000K	UNV 120-277V	WM Wall mounted
	36	30W LED	5280	3500K 4000K 5000K	HLV 347-480V	

Contact for other wattages & outputs

Lens	Light Distribution	Options	Finishes
OAL	Opal lens (Std)	BG Back glow (Std)	RED BLUE TP/TS WL DESIGN
		Red LED Blue LED Tamperproof hardware & screws Wet location Laser Slit Design, see next page for options	BL Black WH White SG Silver Grey BZ Bronze CC Custom Color BA4 Brushed aluminum #4

[See finishes info on website](#)

*General lumens are based on Wattage and 5000K CCT
 *Specific IES Files available upon request
 Std – Standard Offering

BASICO- _____

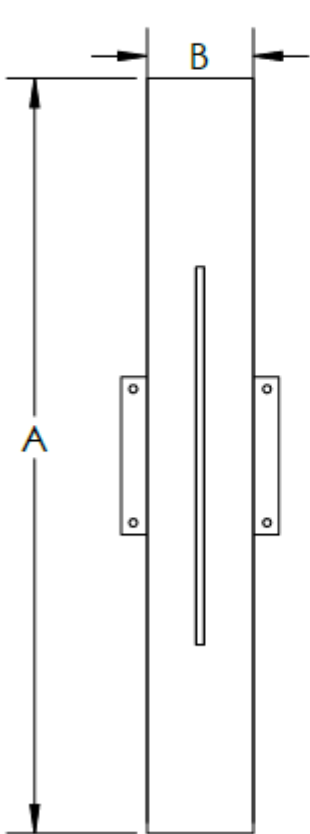
Customization Notes:

▶▶▶ Info on this spec sheet will change without notice as product development is an ongoing process.

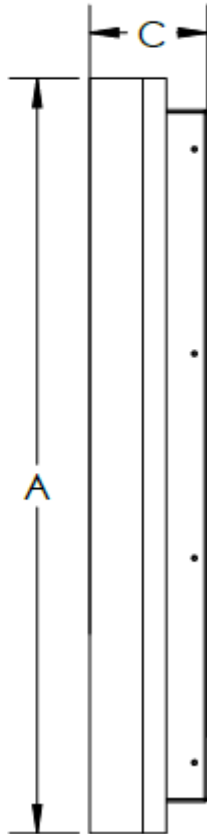
Dimensions & Mounting (measurements in inches; drawings are not to scale)



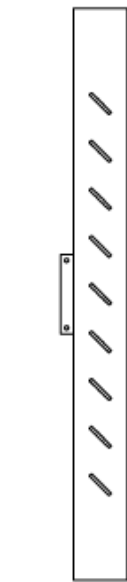
TOP



FRONT



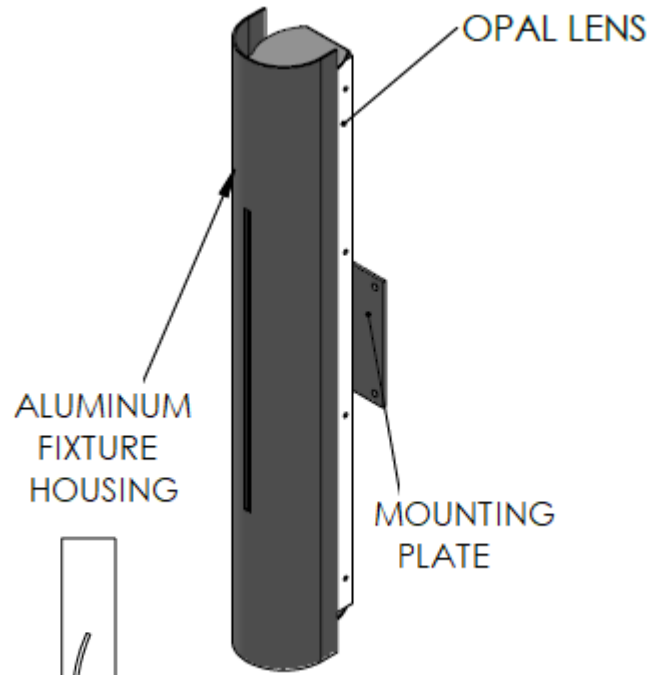
SIDE



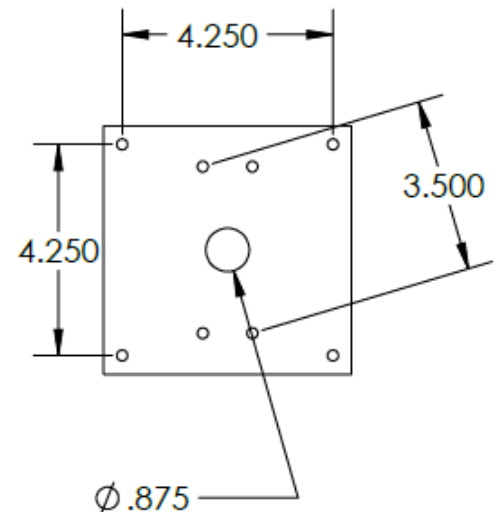
DESIGN I
(CONTACT FACTORY OF OTHER DESIGN OPTIONS)



DESIGN II



MOUNTING DETAILS:



PRODUCT	"DIM-A"	"DIM-B"	"DIM-C"
BASICO 24"	24.000"	3.375"	4.000"
BASICO 36"	36.000"	3.375"	4.000"