



Date
Quote #
Project Name
Type



AXD-S - Post Top

Description:

Smaller version of the AXD. Designed for dark sky initiatives. Made of cast aluminum. All external hardware is stainless-steel.

Name	Engine	Lumens	CCT	Electrical	Mounting	Lens	Pattern	Options	Finish
<input type="text"/>	<input type="text"/>	<input type="text"/>	<input type="text"/>	<input type="text"/>	<input type="text"/>	<input type="text"/>	<input type="text"/>	<input type="text"/>	<input type="text"/>

Name	Light Engine	Source Lumens _{(LED)(5000K)}	Color Temp	Electrical
AXD-S	50W LED (Max)	6949	3000K	UNV 120-277V
			3500K	HLV 347-480V
			4000K	
			5000K	

Contact for custom

Contact for custom

Contact for custom

Mounting		Lens		Light Pattern		Options		Finishes	
PT3	Post top slips over 3" pole	CPL	Clear polycarbonate lens (Std)	TY5	Type V (Std)	SD	Step dimming	Standard	
								BL	Black
PT4	Post top slips over 4" pole	PR	Prismatic lens (K12)	TY4	Type IV	MS	Motion sensor	WH White	
								SG	Silver Grey
WM	Wall mount	CG	Clear glass lens	TY3	Type III	TCO	Trespass Cut Off	BZ Bronze	
				TY2	Type II			TP	Tamperproof hardware
				TY1	Type I	TS	Tamperproof screws	CC	Custom Color
						PC	Bottom photocell	See website for custom colors. Contact factory for physical samples.	
						SF	Single fuse		

- Lumens are based on max wattage & 5000K CCT
- IES files available upon request
- Std - Standard Offering

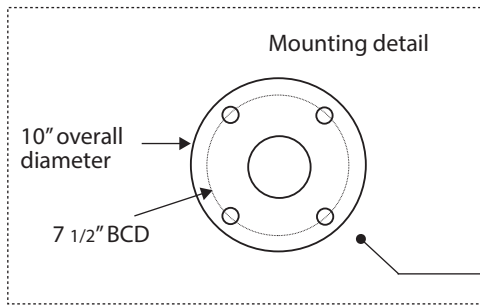
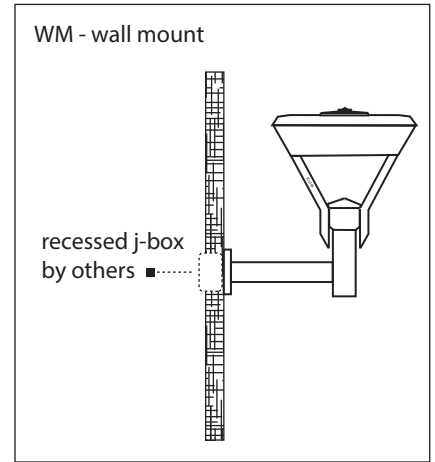
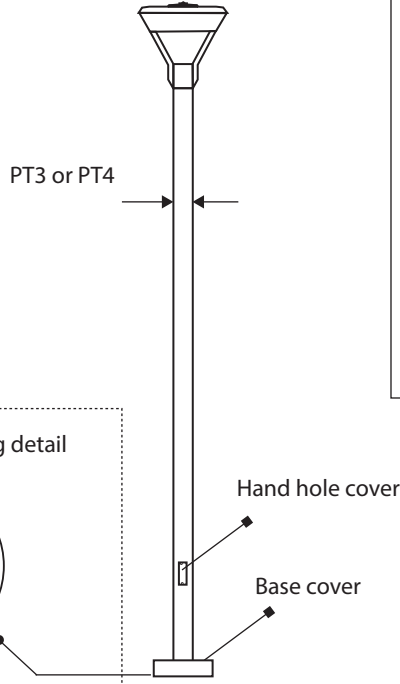
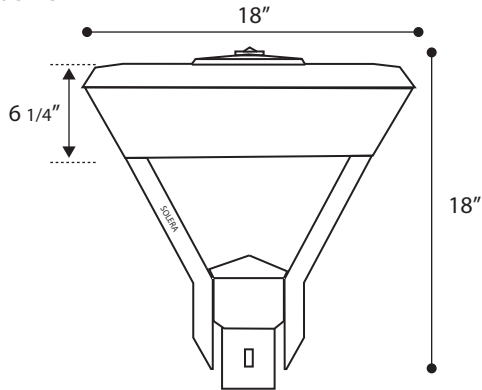




Dimensions & Mounting:

Please note that drawings are not to scale.

Side view



Listing:

Complies with CSA and UL standards.

Polar Graph:

