



Date
Quote #
Project Name
Type



AXD - Post Top

Description:

Powerful post top designed for dark sky initiatives.
 Made of cast aluminum. All external hardware is stainless-steel.

Name - Engine - Lumens - CCT - Electrical - Mounting - Lens - Pattern - Options - Finish

Name	Light Engine	Source Lumens _{(LED)(5000K)}	Color Temp	Electrical
AXD	144W LED (Max)	16632	3000K	UNV 120-277V
			3500K	HLV 347-480V
			4000K	
			5000K	

Mounting		Lens		Light Pattern		Options		Finishes	
PT3	Post top slips over 3" pole	CPL	Clear polycarbonate lens (Std)	TY5	Type V (Std)	SD	Step dimming	Standard	
PT4	Post top slips over 4" pole	PR	Prismatic lens (K12)	TY4	Type IV	MS	Motion sensor	BL	Black
		CG	Clear glass lens	TY3	Type III	TCO	Trespass cut off	WH	White
				TY2	Type II	TP	Tamperproof hardware	SG	Silver Grey
						TS	Tamperproof screws	BZ	Bronze
						PC	Bottom photocell	CC	Custom Color
						SF	Single fuse		

- Lumens are based on max wattage & 5000K CCT
- IES files available upon request
- Std - Standard Offering

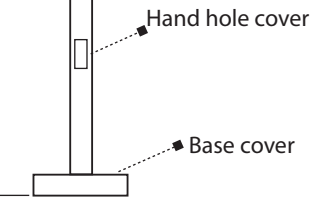
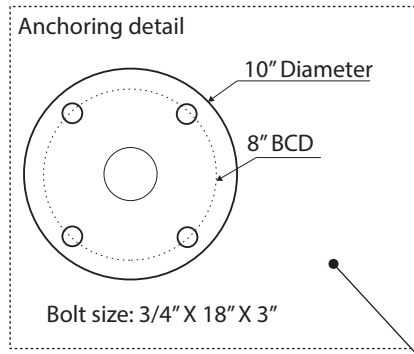
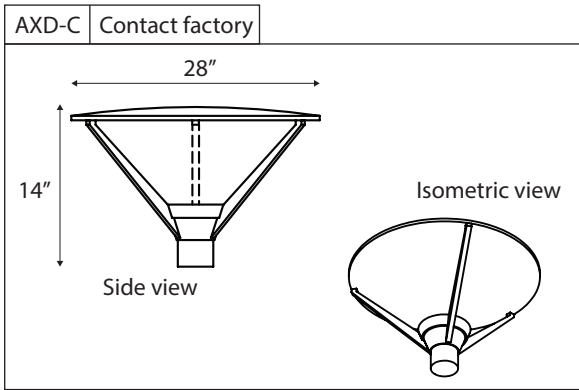
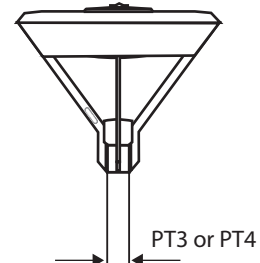
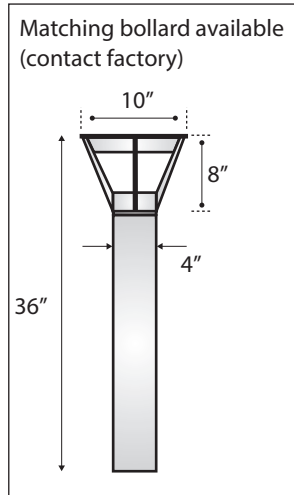
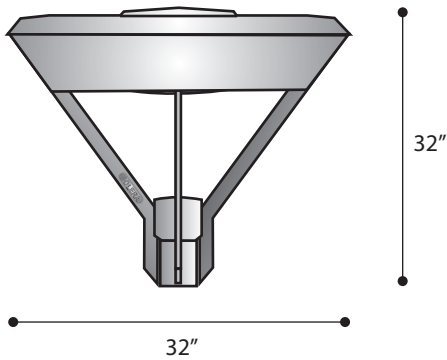




Dimensions & Mounting:

Please note that drawings are not to scale.

Side view



Listing:

Complies to CSA and UL standards.

Polar Graph:

TY5

TY4

TY3

TY2

