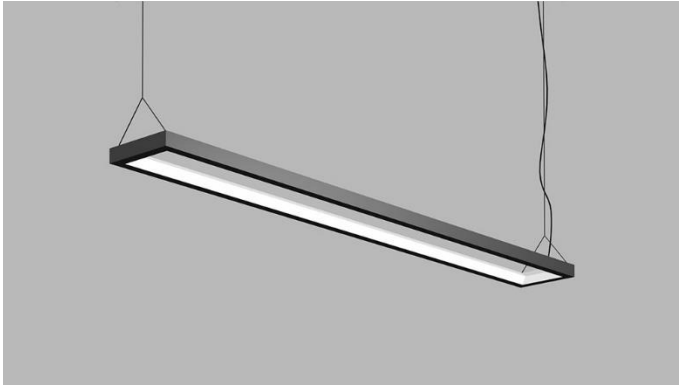


Date: _____

Type: _____

Project: _____



AUSS PENDANT

Hallow rectangular pendant with lens on the inside of the fixture housing. Lens protrudes to an apex instead of being flat. Can be mounted horizontally, vertically, from the long side, or from the short side, in linear runs, in parallel runs, and other specified.

Name	Light Engine	Lumens*	Color Temp	Electrical	Mounting	
AUSS	6 X 48	30W LED	3000	UNV HLV	120-277V 347-480V 2AC-HUB	2 aircraft cables extend from the outside of their respective focal points
			5000K			
			4000K			
			3500K			
			3000K			
Contact for other wattages & outputs						

Lens	Light Distribution	Options	Finishes				
FL	Frosted lens (Std)	50/50	50% direct / 50% indirect	RGBW	Programmable colored LED	BL	Black
		60/40	60% direct / 40% indirect	DM	0-10V dimming	WH	White
		40/60	40% direct / 60% indirect	RB	Remote ballast / driver	SG	Silver Grey
		70/30	70% direct / 30% indirect			BZ	Bronze
						CC	Custom Color
See finishes info on website							

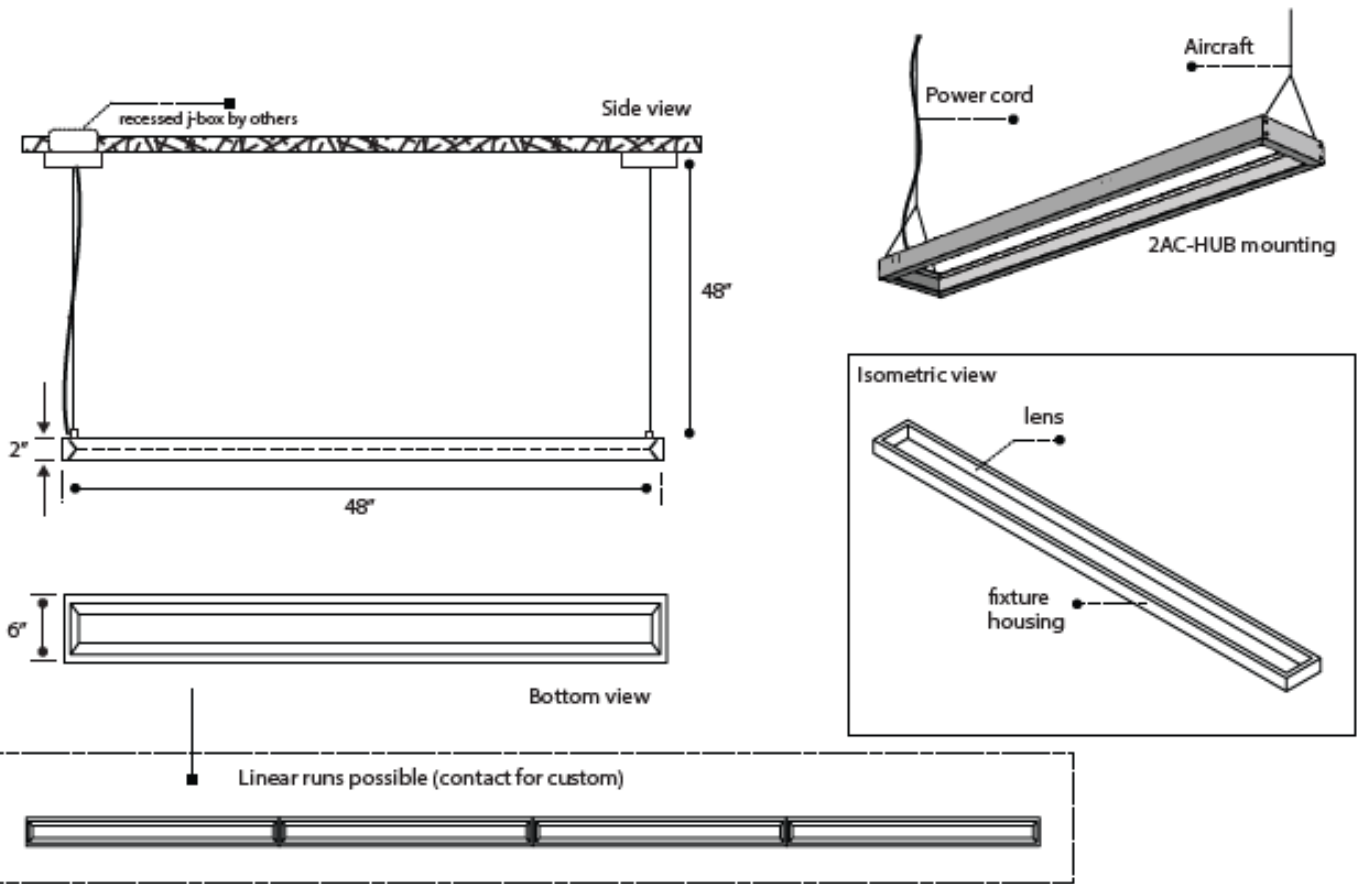
*General lumens are based on Wattage and 5000K CCT
 *Specific IES Files available upon request
 Std – Standard Offering

AUSS- _____ - _____ - _____ - _____ - _____ - _____ - _____ - _____ - _____

Customization Notes:

▶▶▶ Info on this spec sheet will change without notice as product development is an ongoing process.

Dimensions & Mounting (measurements in inches; drawings are not to scale)



Listing:
Complies to CSA and UL standards.

Polar Graph:

