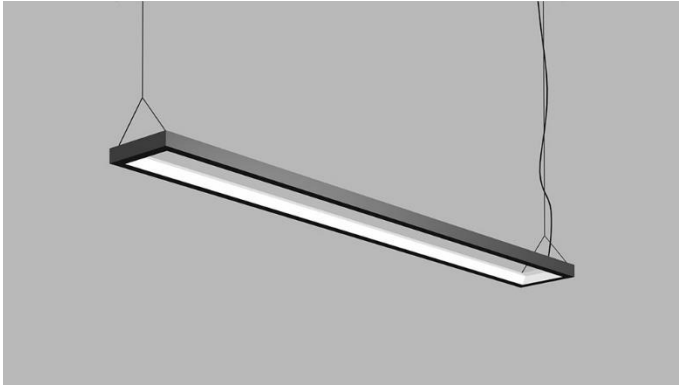


Date: \_\_\_\_\_

Type: \_\_\_\_\_

Project: \_\_\_\_\_



**AUSS PENDANT**

Hallow rectangular pendant with lens on the inside of the fixture housing. Lens protrudes to an apex instead of being flat. Can be mounted horizontally, vertically, from the long side, or from the short side, in linear runs, in parallel runs, and other specified.

| Name | Light Engine | Lumens* | Color Temp | Electrical                   | Mounting  |
|------|--------------|---------|------------|------------------------------|---|
| AUSS | 6 X 48       | 30W LED | 3000       | UNV 120-277V<br>HLV 347-480V | 2AC-HUB<br>2 aircraft cables extend from the outside of their respective focal points |
|      |              |         | 5000K      |                              |   |
|      |              |         | 4000K      |                              |   |
|      |              |         | 3500K      |                              |   |
|      |              |         | 3000K      |                              |   |

Contact for other wattages & outputs

| Lens | Light Distribution | Options | Finishes                  |      |                          |    |              |
|------|--------------------|---------|---------------------------|------|--------------------------|----|--------------|
| FL   | Frosted lens (Std) | 50/50   | 50% direct / 50% indirect | RGBW | Programmable colored LED | BL | Black        |
|      |                    | 60/40   | 60% direct / 40% indirect | DM   | 0-10V dimming            | WH | White        |
|      |                    | 40/60   | 40% direct / 60% indirect | RB   | Remote ballast / driver  | SG | Silver Grey  |
|      |                    | 70/30   | 70% direct / 30% indirect |      |                          | BZ | Bronze       |
|      |                    |         |                           |      |                          | CC | Custom Color |

[See finishes info on website](#)

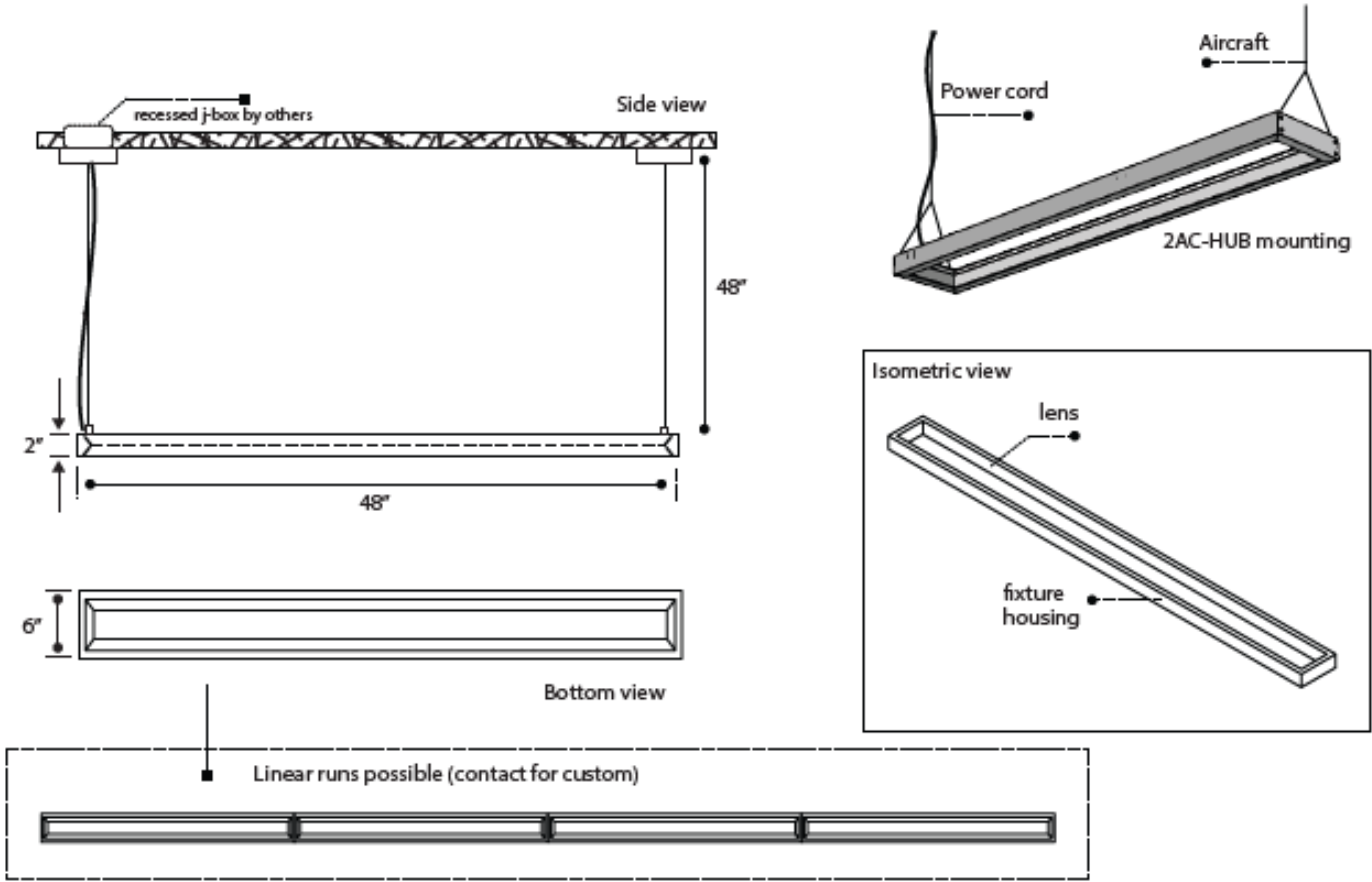
\*General lumens are based on Wattage and 5000K CCT  
 \*Specific IES Files available upon request  
 Std – Standard Offering

AUSS- \_\_\_\_\_ - \_\_\_\_\_ - \_\_\_\_\_ - \_\_\_\_\_ - \_\_\_\_\_ - \_\_\_\_\_ - \_\_\_\_\_ - \_\_\_\_\_ - \_\_\_\_\_

**Customization Notes:**

▶▶▶ Info on this spec sheet will change without notice as product development is an ongoing process.

### Dimensions & Mounting (measurements in inches; drawings are not to scale)



**Listing:**  
Complies to CSA and UL standards.

### Polar Graph:

