

Date:

Type:

Project:



## ARUBA WALL MOUNT

A modern decorative wall mount that is ADA-compliant. Consists of a fabricated aluminum frame, customizable to various designs, and overlaid on opal lens. Fully silicone-gasketed for all-weather sealing. Standard is 9" width. Available in 3 different lengths. Designed for exterior application.

Name	Length (in inches)	Light Engine	Lumens*	Color Temp	Electrical	Mounting
ARUBA	I	18"	18W LED	2988	3000K UNV	120-277V WM
	II	36"	44W LED	7304	3500K HLV	347-480V
	III	48"	64W LED	10624	4000K 5000K	

Lens		Light Pattern		Options			Finishes	
OPL	Opal lens (Std)	UDF	Up, down, & front light (Std)	DM	0-10V Dimming	BL	Black	
			F	Front light	PC	Button photocell, voltage specific	BZ	Bronze
				RB	Remote driver	WH	White	
				SF	Single fuse	SG	Silver Grey	
				TP/TS	Tamperproof hardware & screws			
				RGBW	Programmable color changing LED	BA4	Brushed Aluminum #4	
				EM	Emergency driver, remote only	CC	Custom Color	

[See finishes info on website](#)

\*General lumens are based on Wattage and 5000K CCT

\*Specific IES Files available upon request

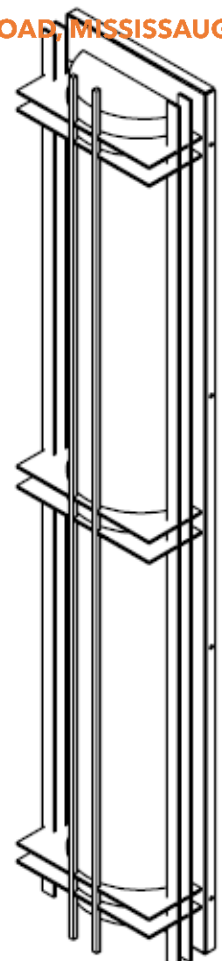
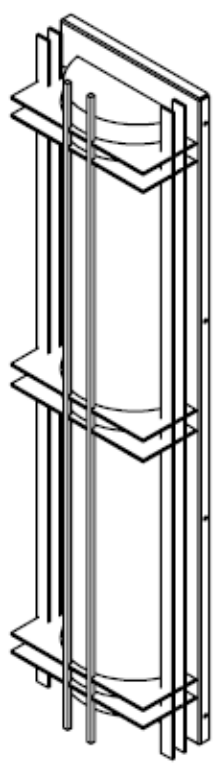
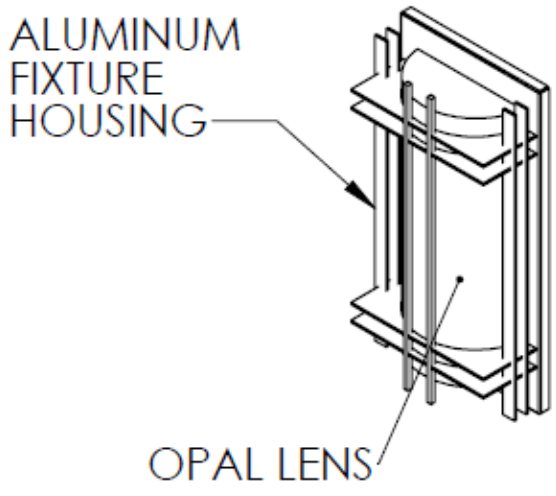
Std – Standard Offering

ARUBA- \_\_\_\_\_

### Customization Notes:

▶▶▶ Info on this spec sheet will change without notice as product development is an ongoing process.

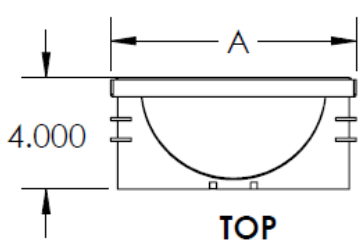
**Dimensions & Mounting** (measurements in inches; drawings are not to scale)



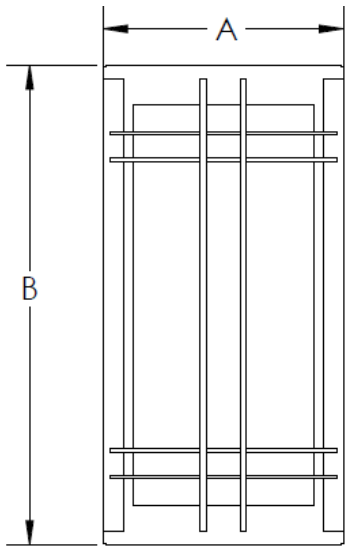
**ARUBA-I**

**ARUBA-II**

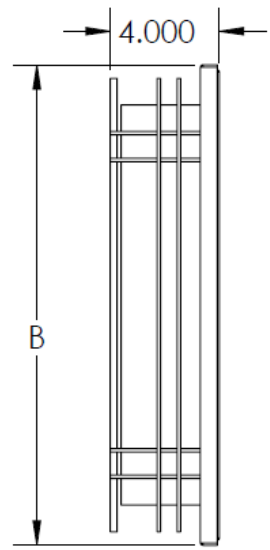
**ARUBA-III**



**TOP**



**FRONT**



**SIDE**

FIXTURE	DIM:A	DIM:B
ARUBA-I	9.00"	18.00"
ARUBA-II	9.00"	36.00"
ARUBA-III	9.00"	48.00"