

Date: _____

Type: _____

Project: _____



ARROW

DESCRIPTION:

Versatile luminaire with a fin design. Fin design dissipates heat away from the LED junction and the lateral airflow keeps the system cool.

Name	Light Engine	Source Lumens †	Color Temp	Electrical	Mounting
ARROW I	I 90W LED (Max)	11575	3000K	UNV 120-277V	ER3 Arm for Round or Square Pole
ARROW II	II 288W LED (Max)	32454	4000K 5000K	HLV 347-480V	YM Yoke mount P Pendant stem mount (length is nominal) CM Ceiling mount WM Wall mount
Contact Solera for other Wattages		Contact for custom	Contact for custom	For better illustration, see Page 2	

Lens	Optics	Options	Finishes
LPL Linear Prismatic Lens	TY5 Type V (Std)	SD Step dimming	BL Black
CL Clear Lens	TY4 Type IV	MS Motion sensor	WH White
PG Prismatic Glass Lens	TY3 Type III	TCO Trespass cut off	SG Silver Gray
	TY2 Type II	TP Tamperproof hardware & screws	BZ Bronze
		PC Button photocell	
		PCR Photocell Receptacle	
		EM Emergency Battery	
		BD Barn Doors	
		LVR Internal Louvers	
		SF Single Fuse	See finishes page for custom colors.

† Lumens are based on Max Wattage and 5000K CCT
Std – Standard Offering

ARROW- _____ - _____ - _____ - _____ - _____ - _____ - _____ - _____

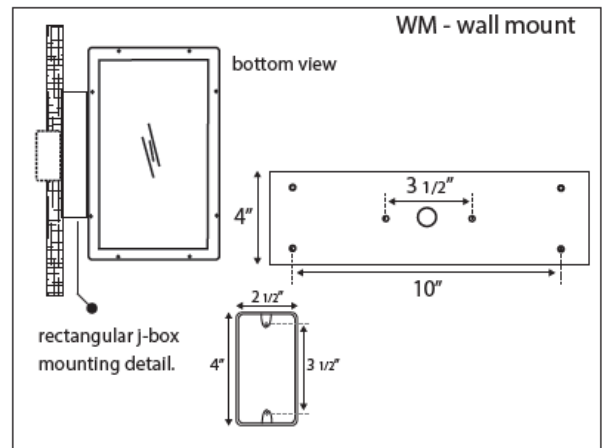
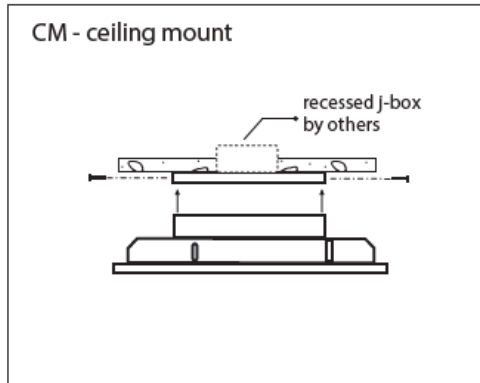
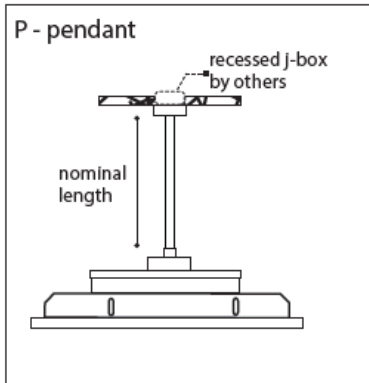
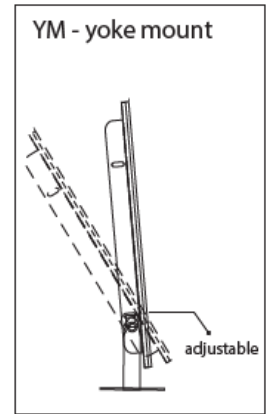
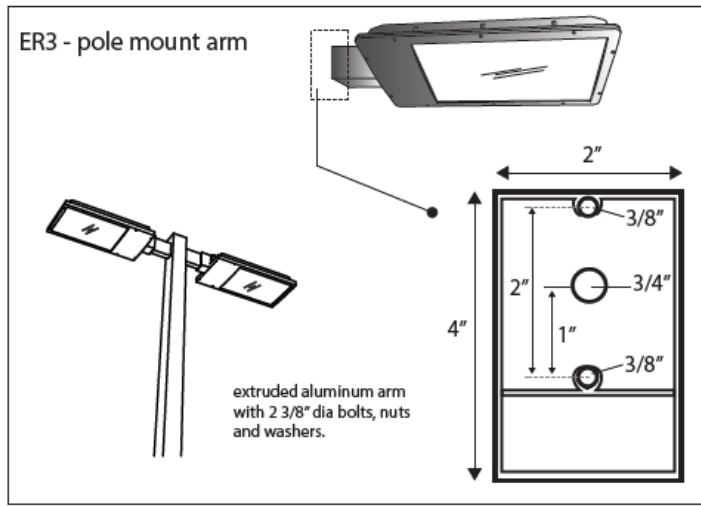
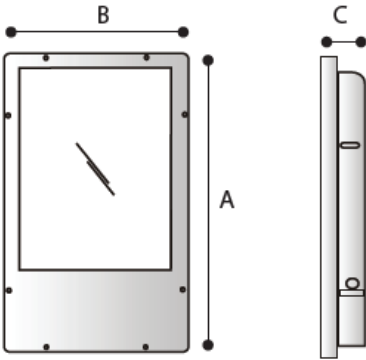
Customization Notes:

→ Info on this spec sheet will change without notice as product development is an ongoing process.
Date Modified: Feb-12-2025

Dimensions & Mounting:

Please note that drawings are not to scale.

	A	B	C
ARROW-I	19 1/4"	11 7/8"	2 7/8"
ARROW-II	26"	14 1/4"	2 7/8"

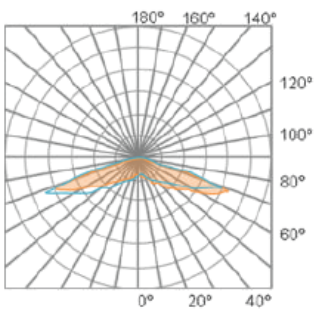


Listing:

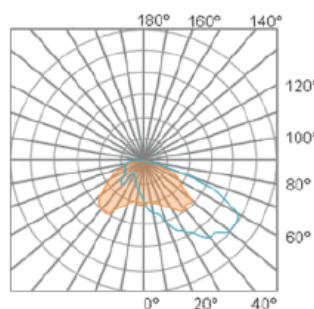
Complies to CSA and UL standards.

Polar Graph:

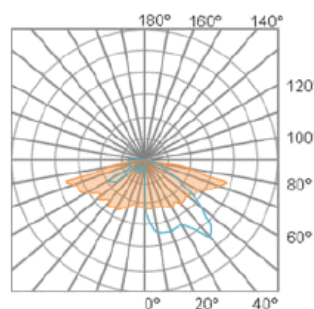
TY5



TY4



TY3



TY2

