



Date
Quote #
Project Name
Type



## APL - Pole Mount

### Description:

APL is made of a one-piece aluminum driver housing and heavy gauge spun aluminum hood with beaded edge. All external hardware is stainless steel.

Name  - Engine  - Lumens  - CCT  - Electrical  - Mounting  - Lens  - Pattern  - Options  - Finish

Name	Light Engine	Source Lumens <sub>(LED)(5000K)</sub>	Color Temp	Electrical
APL-22	48W LED (Max)	6237	30K	3000K UNV 120-277V
APL-24	60W LED (Max)	7802	35K	3500K HLV 347-480V
APL-28	84W LED (Max)	10425	40K	4000K
			50K	5000K

Contact for custom      Contact for custom      Contact for custom

Mounting	Lens	Light Pattern	Options	Finishes
GN4	CG	TY5	SD	Standard
GN5	SAG	TY4	MS	BL Black
DA4	LMD	TY3	TCO	WH White
DA5	PD	TY2	TP	SG Silver Grey
GN	PGB		TS	BZ Bronze
DCA			PCR	Custom
WM1			TP	CC Custom Color
E2B			TS	See website for custom colors. Contact factory for physical samples.
			MS	
			TCO	
			PCR	
			TP	
			TS	
			PC	
			NON	
			ILL	
			SF	
			DCO	
			BA	

For better illustration on mounting see (page 2)

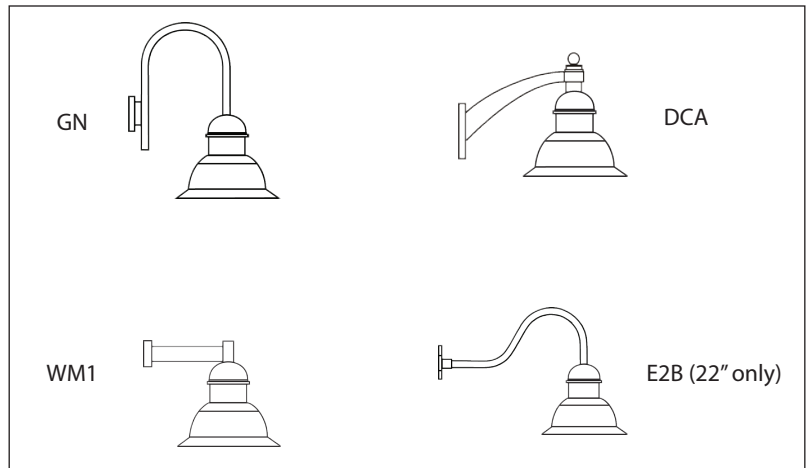
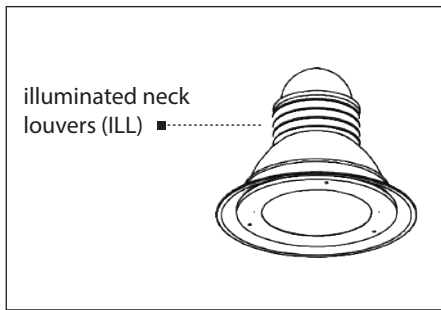
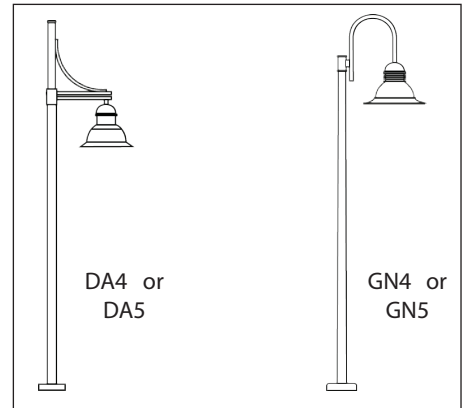
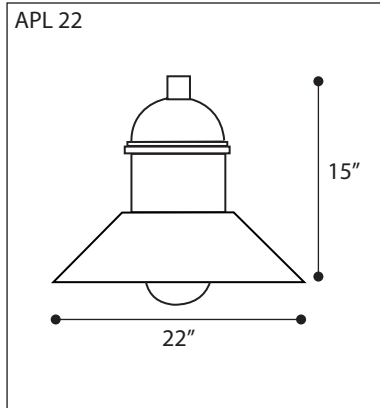
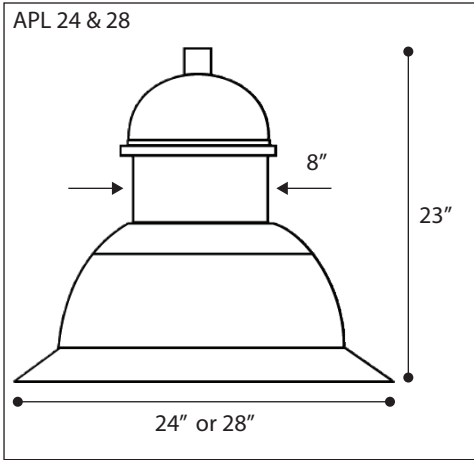
- Lumens are based on max wattage & 5000K CCT
- IES files available upon request
- Std - Standard Offering





**Dimensions & Mounting:**

Please note that drawings are not to scale.



**Listing:**

Complies to CSA and UL standards.

**Polar Graph:**

