

Date:

Type:

Project:



CIRRO-BLD BOLLARD

This 8" round bollard features color-changing LED option giving a modern, playful, unique appeal.

Constructed from aluminum for durability. The standard bollard height is 38".

Name	Lamping*	Lumens*	Color Temp	Electrical	Mounting
CIRRO-BLD	40 W LED (max)	6640	5000K 4000K 3500K 3000K	UNV HLV 120-277V 347-480V	ABT Anchors, bolts, & template

Lens		Light Pattern		Options		Finishes	
OPL	Opal lens (Std)	TY5	Type 5 distribution (Std)	TP/TS VINYL WOOD GFR PC TCO RGBW	Tamperproof hardware & screw Vinyl graphic prints, contact factory Wood panel designs, contact factory Ground fault receptacle Button photocell, Voltage specific House cut-off Programmable, color changing LED	BL WH SG BZ CC	Black White Silver Grey Bronze Custom Color

[See finishes info on website](#)

*Lumens are based on Max Wattage and 5000K CCT

*Specific IES Files available upon request

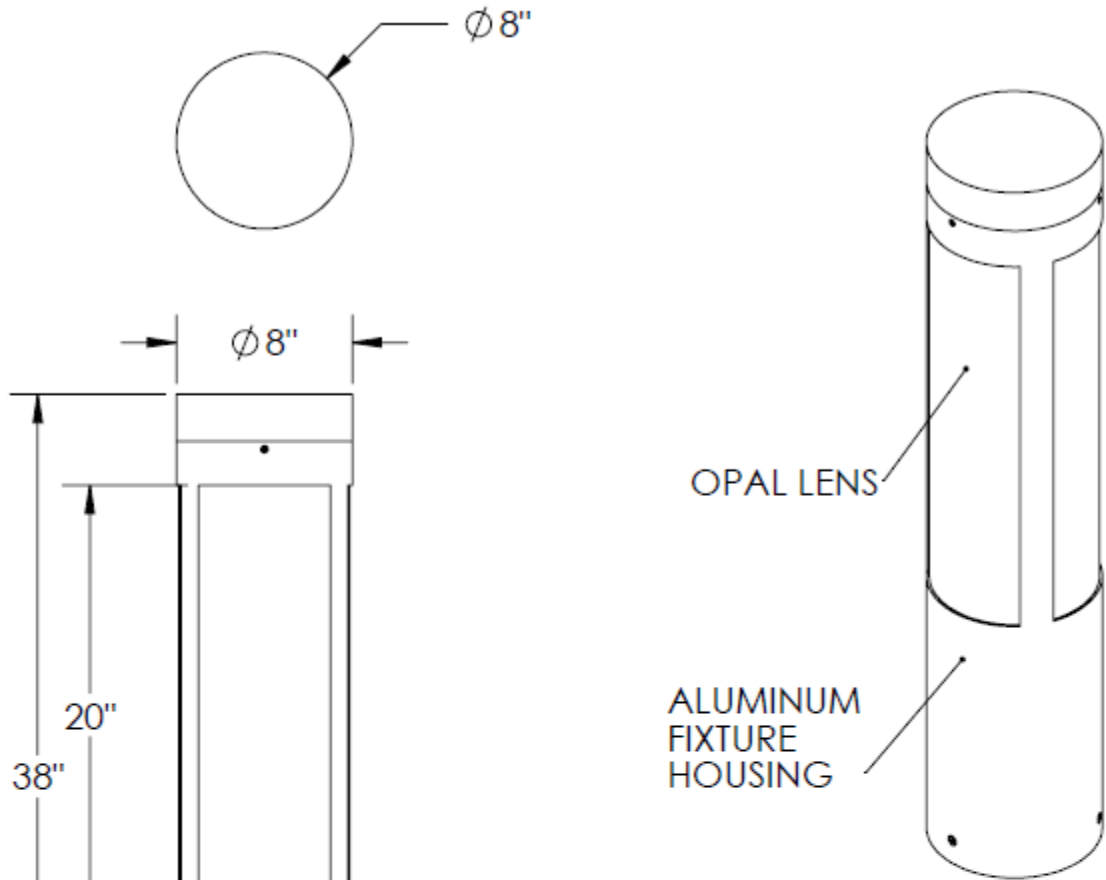
Std – Standard Offering

CIRRO-BLD- _____

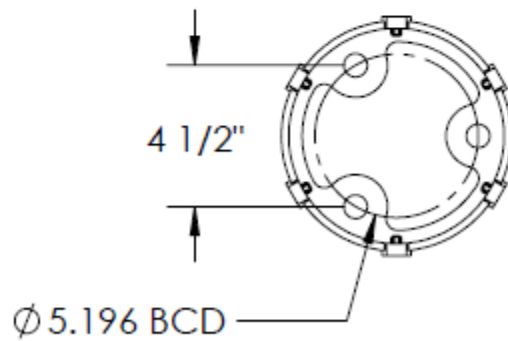
Customization Notes:

▶▶▶ Info on this spec sheet will change without notice as product development is an ongoing process.

Dimensions & Mounting (measurements in inches; drawings are not to scale)



Anchoring Details:



Anchorbolt Size: 1/2" X 12" X 1-3/8"

- Hot dipped Galvanized anchor bolts
- Galvanized steel hex nuts
- Galvanized steel flat washers