

SKY-LINE SERIES

A versatile adjustable lighting system comes in linear sections that can be placed in linear, and square configurations.

Available Sizes:

4Ft. - Max 5 Adjustable Lamping Modules per Section

6Ft. - Max 7 Adjustable Lamping Modules per Section

8Ft. - Max 9 Adjustable Lamping Modules per Section

Amount of Modules per section is dependent on the Lamping type.

Sections can also be secured together to make longer runs as necessary.

CONSTRUCTION:

Fabricated aluminum housing with high quality continuously welded seam. Adjustable lamp compartments are made of fabricated aluminum. Standard mounting is cable suspended to canopies for flat rigid ceiling. All external hardware is stainless steel.

LAMPING:

High power CREE LEDs with 50,000hrs rated lamp life @ 70% lumen maintenance.

35MH PAR30 (MED BASE)

100W PAR38 (MED BASE) Incandescent Lamping

23W-LED - Chip on Board (COB) technology (CREE CXA 2520 LED chip)

2000Lumen / module (Warm White) is standard.

Also available in:

CW - Cool White, 5000-7000°K color temperature.

NW - Neutral White, 4100°K color temperature.

ELECTRICAL:

Select from 120/277, 120V, 277V, 347V (consult Solera for additional voltages) Electronic Driver/Ballast is standard on all LED, CFL, BIAx and Fluorescent lamps.

SHIELDING/LENS :

O - Open (no lens)

E - Enclosed Clear Flat Tempered Glass Lens

FG - Frosted Glass Lens

HLO -Honeycomb Louvers

SN - Snoot Cover - Controls the Direction of the Light

OPTICS:

Clear specular aluminum reflector is standard.

MOUNTING:

4AC48 - 4 x 48" Long Aircraft Cable with ST cord mounts to rigid ceiling structure (by others)

RT - Recessed in ceiling

CM - Ceiling mounted to rigid ceiling structure (by others)

OPTIONS:

DM - 0-10V Dimming

EM - Emergency Operation

SF - Single Fuse

FINISH:

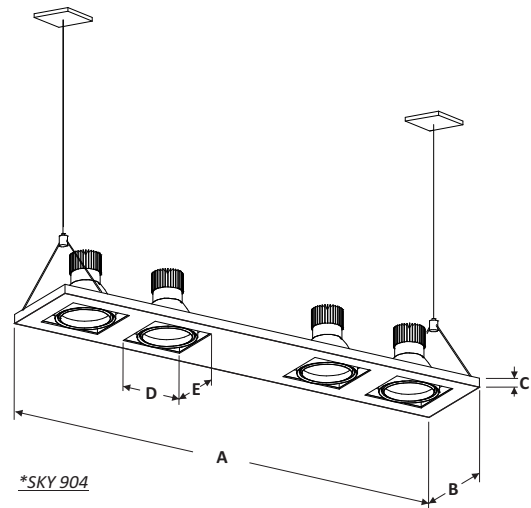
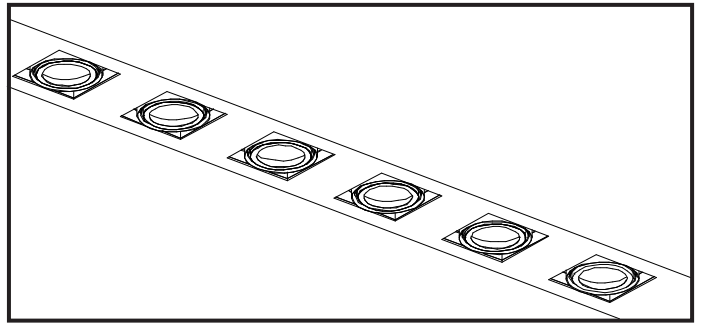
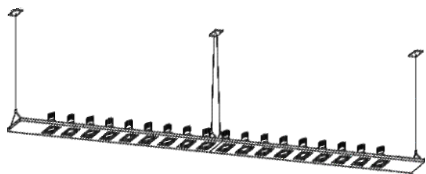
Electrostatically applied, thermally cured polyester powder coated paint.

Available in Solera Standard colors:

BL - Minitex Black, WH - Minitex White

SG - Silver Gray, BZ - Minitex Bronze

CC - Custom Color **Adder** Please consult Solera



	A	B	C	D	E
SKY 904	4 FT	9.5"	1.5"	6.5"	6"
SKY 906	6 FT	9.5"	1.5"	6.5"	6"
SKY 908	8 FT	9.5"	1.5"	6.5"	6"

CONFIGURATIONS



LINEAR
SINGLE OR
CONTINUOUS
CONFIGURATION



SQUARE
CONFIGURATION
i.e.
4x SKY904
4xSKY906
4xSKY908



VARIATIONS
OF LINEAR & SQUARE
CONFIGURATIONS

PROJECT

DATE

QTY

SKY

NAME	SIZE	LAMPING	COLOR	VOLT	SHIELDING	MOUNTING	OPTIONS	FINISH
SKY	904	28W LED	TEMP.	120V	LENS	AC	DM	WH
	906	PAR30	(LED)	277V	E	RT	EM	BL
	908	PAR38		347V	FG	CM	SF	SG
			WW	120/277V	HLO			BZ
			NW		SN			CC*
			CW					

