

Date:
Type:
Project:



WND-1 - LIGHT COLUMN

DESCRIPTION:

WND-1 is a circular light column that consists of an opal lens and extruded aluminum shaft. Designed to add a modern aesthetic for outdoor pathways.

Name	Lamping		Lumens	Color Temp	Electrical		Mounting	
WND-1-6"	6"	42 LED (Max)	7388	3000K	UNV	120-277V	ABT	Anchor, Bolts & Template
WND-1-8"		18WMCE-RGB		4000K	HLV	347-480V		
	8"	60 LED (Max)	10553	5000K				
		36WMCE-RGB						
	*Contact for other wattages		*Contact for custom	*Specify other				

Lens		Light Pattern		Options		Finishes		
OAL	Opal Acrylic Lens	TY5	Type V (Std)	TP	Tamperproof Hardware	BL	Black	
				EM	Emergency Battery	WH	White	
				DM	0-10V Dimming	SG	Silver Grey	
				PC	Button Photocell	BZ	Bronze	
				PFM	Perforated Mesh (180°)			
				GFR	Ground Fault Receptacle			
				HCO	House Side Cutoff			
							*See finishes info on website	

✦ Lumens are based on Max Wattage and 5000K CCT

Std - Standard Offering

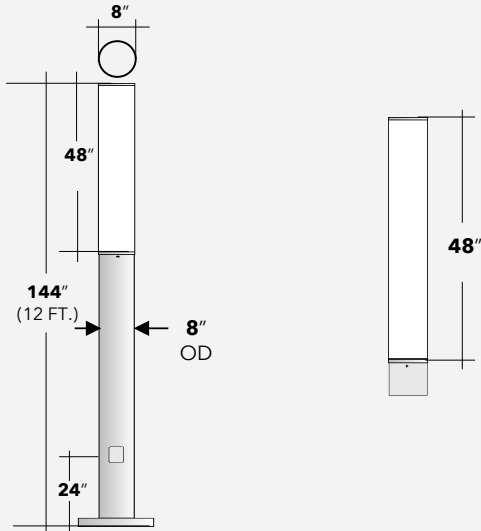
WND-1- _____

Customization Notes:

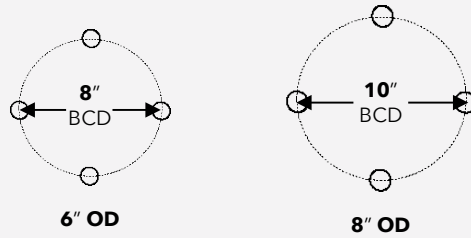
▶▶▶ Info on this spec sheet will change without notice as product development is an ongoing process.



Dimensions & Mounting (drawings are not to scale)



Anchoring Details



Polar Graph

