

Date:
Type:
Project:



WND-1 - LIGHT COLUMN

DESCRIPTION:

WND-1 is a circular light column that consists of an opal lens and extruded aluminum shaft. Designed to add a modern aesthetic for outdoor pathways.

Name	Lamping	Lumens	Color Temp	Electrical	Mounting
WND-1-6"	6"	42 LED (Max)	7388	3000K	UNV 120-277V ABT Anchor, Bolts & Template
WND-1-8"		18WMCE-RGB		4000K	HLV 347-480V
	8"	60 LED (Max)	10553	5000K	
		36WMCE-RGB			
	*Contact for other wattages		*Contact for custom	*Specify other	

Lens		Light Pattern		Options		Finishes		
OAL	Opal Acrylic Lens	TY5	Type V (Std)	TP	Tamperproof Hardware	BL	Black	
				EM	Emergency Battery	WH	White	
				DM	0-10V Dimming	SG	Silver Grey	
				PC	Button Photocell	BZ	Bronze	
				PFM	Perforated Mesh (180°)			
				GFR	Ground Fault Receptacle			
				HCO	House Side Cutoff			
							*See finishes info on website	

✦ Lumens are based on Max Wattage and 5000K CCT

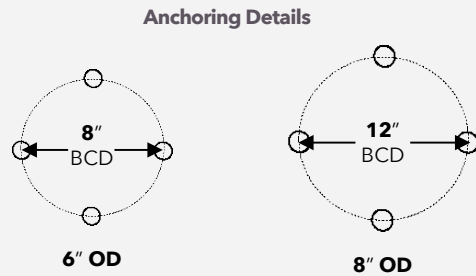
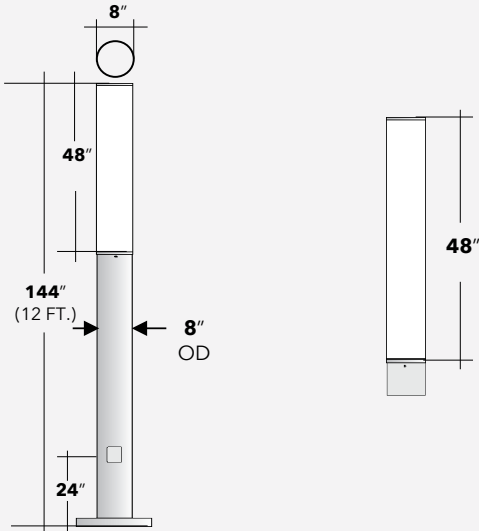
Std - Standard Offering

WND-1- _____

Customization Notes:

▶▶▶ Info on this spec sheet will change without notice as product development is an ongoing process.

Dimensions & Mounting (drawings are not to scale)



Polar Graph

