



Date
Quote #
Project Name
Type



## VENUS - Bollard

### Description:

Upper assembly display consists of an hour glass look with curvilinear bars. Silicone sealed lens for weather protection, frosted acrylic is standard. All external hardware is stainless steel.

Name  - Engine  - Lumens  - CCT  - Electrical  - Mounting  - Lens  - Pattern  - Options  - Finish

Name	Light Engine	Source Lumens(LED)	Color Temp	Electrical
VENUS	36W LED (Max)	4680	3000K	UNV 120-277V
			3500K	HLV 347-480V
			4000K	
			5000K	

Contact for custom

Contact for custom

Contact for custom

Mounting		Lens		Light Pattern		Options		Finishes	
ABT	Anchor, bolts & template	FAL	Frosted acrylic lens (Std)	TY5	Type V (Std)	MS	Motion sensor	Standard	
								BL	Black
		OAL	Opal acrylic lens	TY3	Type III	SD	Step dimming	WH	White
								SG	Silver Grey
		180	180 degrees	TP	Tamperproof hardware	TS	Tamperproof screws	BZ	Bronze
								Custom	
PC	Button photocell	GFR	Ground fault receptacle	SF	Single fuse	CC	Custom Color		
						See website for custom colors. Contact factory for physical samples.			
		CONC	Concrete (shaft only) See {page 2} for better						

- Lumens are based on max wattage & 5000K CCT
- IES files available upon request
- Std - Standard Offering

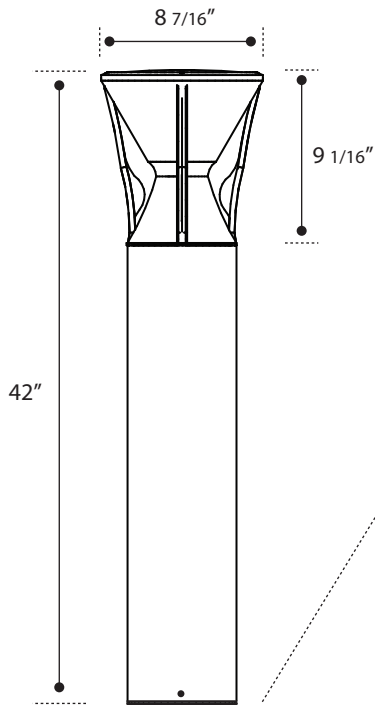




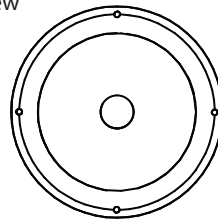
**Dimensions & Mounting:**

Please note that drawings are not to scale.

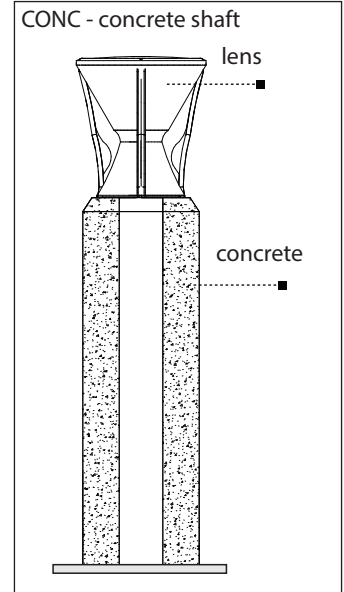
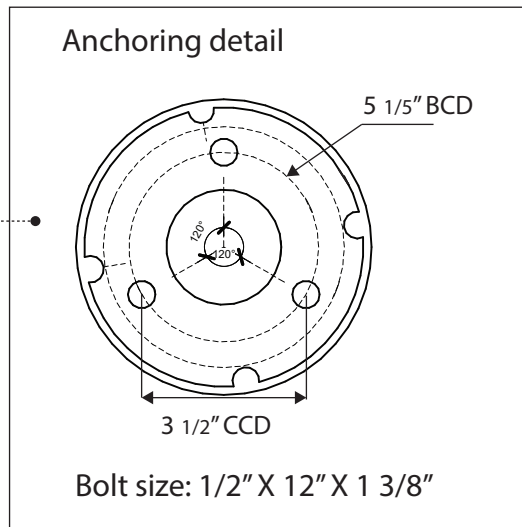
Side view



Top view



Anchoring detail



**Listing:**

Complies to CSA and UL standards.

**Polar Graph:**

TY5

