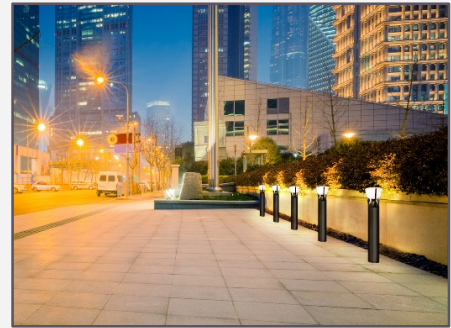




| |
|-----------------|
| Date: |
| Type: |
| Project: |



VENUS - BOLLARD

DESCRIPTION:

Ideal for outdoor walkways. Upper assembly has hour glass look with curvilinear bars.

| Name | Lamping | Lumens | Color Temp | Electrical | | Mounting | |
|-------|-----------------------------|---------------------|----------------|------------|----------|----------|--------------------------|
| VENUS | 36W LED (Max) | 4680 | 3000K | UNV | 120-277V | ABT | Anchor, Bolts & Template |
| | | | 4000K | HLV | 347-480V | | |
| | | | 5000K | | | | |
| | | | | | | | |
| | *Contact for other wattages | *Contact for custom | *Specify other | | | | |

| Lens | | Light Pattern | | Options | | Finishes | |
|------|-------------------------|---------------|--------------|---------|-------------------------|----------|-------------------------------|
| OPL | Opal Polycarbonate Lens | TY5 | Type V (Std) | TP | Tamperproof Hardware | BL | Black |
| | | | | TS | Tamperproof Screwdriver | WH | White |
| | | | | SF | Single Fuse | SG | Silver Grey |
| | | | | PC | Button Photocell | BZ | Bronze |
| | | | | MS | Motion Sensor | | |
| | | | | GFR | Ground Fault Receptacle | | |
| | | | | HCO | House Side Cutoff | | |
| | | | | | | | *See finishes info on website |

✦ Lumens are based on Max Wattage and 5000K CCT

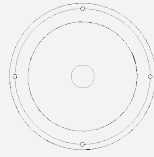
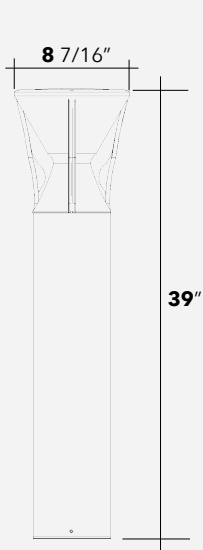
Std - Standard Offering

VENUS- _____ - _____ - _____ - _____ - _____ - _____ - _____ - _____

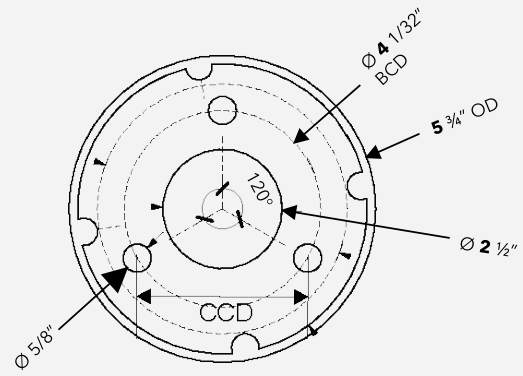
Customization Notes:

▶▶▶ Info on this spec sheet will change without notice as product development is an ongoing process.

Dimensions & Mounting (drawings are not to scale)

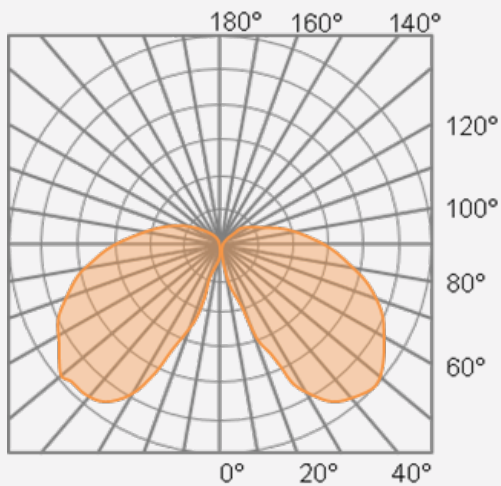


Top View



Anchoring Detail

Polar Graph



TYPE V