



Date:
Type:
Project:



VELO - CEILING MOUNT

DESCRIPTION:

Fabricated aluminum housing construction with seamless opal lens.

Name	Lamping		Lumens	Color Temp	Electrical		Mounting	
VELO-24	24"	18LED (Max) F24T5HO	3168	3000K	UNV	120-277V	CM	Ceiling Mount
VELO-36				4000K	HLV	347-480V	4AC	4 X Aircraft Cables
VELO-48	36"	24 LED (Max) F36T5HO	4224	5000K	TT	Tri-Tap (HID)		
VELO-96					MT	Multi-Tap (HID)		
	48"	44 LED (Max) F57T5HO	7744					
	96"	60 LED (Max) 2F57T5HO	10560					
	*Contact for other wattages		*Contact for custom	*Specify other			*Contact for other lengths	

Lens		Light Pattern		Options		Finishes		
OAL	Opal Acrylic Lens (Std)	EG	Encompassing Glow (Std)	DM	0-10V Dimming	BL	Black	
ALB	Alabaster Lens			DM1	1% Dimming	WH	White	
CGL	Color Glow Lens			EM	Emergency Battery	SG	Silver Grey	
				SF	Single Fuse	BZ	Bronze	
							*See finishes info on website	

✦ Lumens are based on Max Wattage and 5000K CCT

Std - Standard Offering

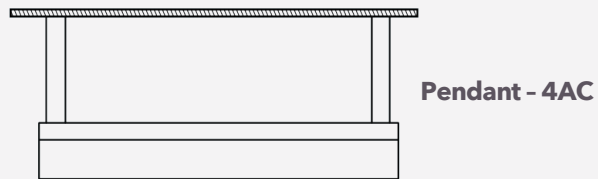
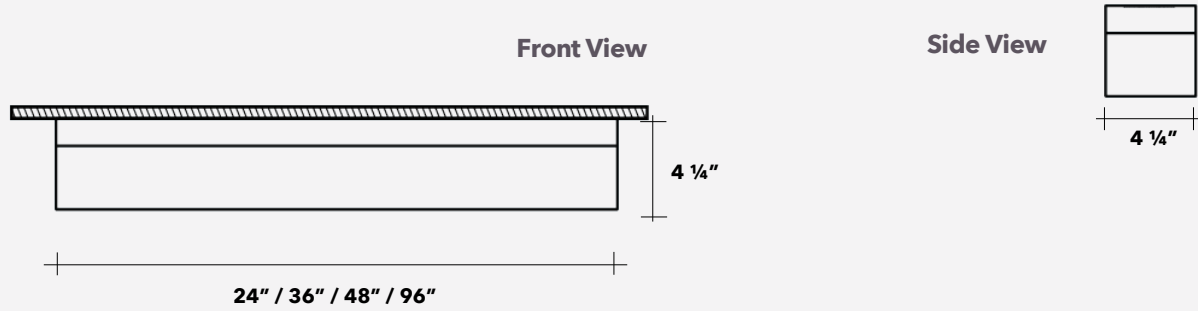
VELO- _____

Customization Notes:

▶▶▶ Info on this spec sheet will change without notice as product development is an ongoing process.



Dimensions & Mounting (drawings are not to scale)



Polar Graph

