



Date:
Type:
Project:



VANDALUME - POST TOP/POLE MOUNT

DESCRIPTION:

VANDALUME (VDS/VDL) post top is made of one piece aluminum ballast housing and heavy gauge spun aluminum skirt. All hardware is stainless steel material. Dark Sky Cut-off compliant.

Name	Lamping		Lumens	Color Temp	Electrical		Mounting	
VD-S	S	60W LED (Max)	7800	3000K	UNV	120-277V	PT3	Post top slips over 3" pole
VD-L	L	120W LED (Max) 250 HPS 250 MH	13872	4000K	HLV	347-480V	PT4	Post top slips over 4" pole
				5000K	TT	Tri-Tap (HID)		
					MT	Multi-Tap (HID)		
	*Contact for other wattages		*Contact for custom	*Specify other				

Lens		Light Pattern		Options		Finishes		
PR	Prismatic Lens (K12)	TY5	Type V	TP	Tamperproof Hardware	BL	Black	
		TY3	Type III	TS	Tamperproof Screwdriver	WH	White	
				PC	Button Photocell	SG	Silver Grey	
				PCR	Photocell Receptacle	BZ	Bronze	
				SF	Single Fuse			
				DF	Double Fuse			
							*See finishes info on website	

✦ Lumens are based on Max Wattage and 5000K CCT

Std - Standard Offering

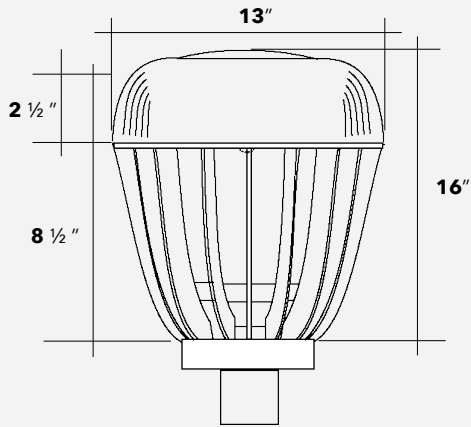
VDS/VDL- _____ - _____ - _____ - _____ - _____ - _____ - _____

Customization Notes:

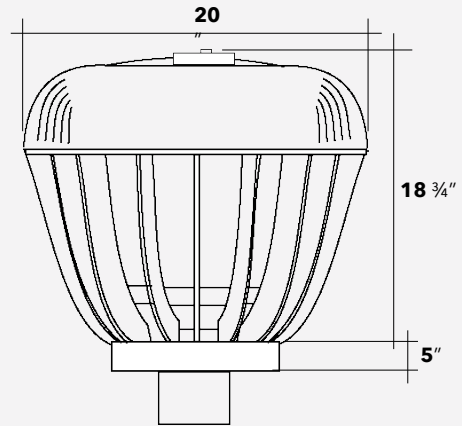
▶▶▶ Info on this spec sheet will change without notice as product development is an ongoing process.



Dimensions & Mounting (drawings are not to scale)

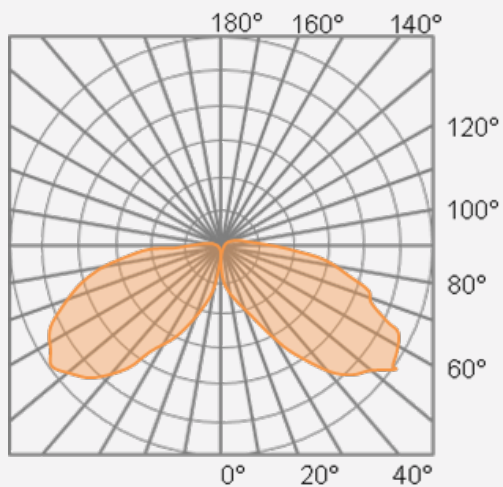


VDS



VDL

Polar Graph



TYPE V