



Date
Quote #
Project Name
Type



## UNB - Bollard

### Description:

Circular bollard constructed of fabricated aluminum where top assembly is louvered. UNB sits low to the ground. All external hardware is stainless steel.

Name  - Engine  - Lumens  - CCT  - Electrical  - Mounting  - Lens  - Pattern  - Options  - Finish

Name	Light Engine	Source Lumens(LED)	Color Temp	Electrical
UNB	42 LED (Max)	5460	2700K	UNV 120-277V
	70 MH		3000K	HLV 347-480V
	70 HPS		3500K	TT Tri-Tap(HID)
			4000K	MT Multi-Tap(HID)
			5000K	
	Contact for custom	Contact for custom	Contact for custom	

Mounting		Lens		Light Pattern		Options		Finishes	
ABT	Anchor, bolts & template	CAL	Clear acrylic lens (Std)	TY5	Type V (Std)	MS	Motion sensor	Standard	
		CPL	Opal acrylic lens			SD	Step dimming	BL	Black
						TP	Tamperproof hardware	WH	White
						TS	Tamperproof screws	SG	Silver Grey
						PC	Button photocell	BZ	Bronze
						SF	Single fuse	Custom	
								CC	Custom Color
									See website for custom colors. Contact factory for physical samples.

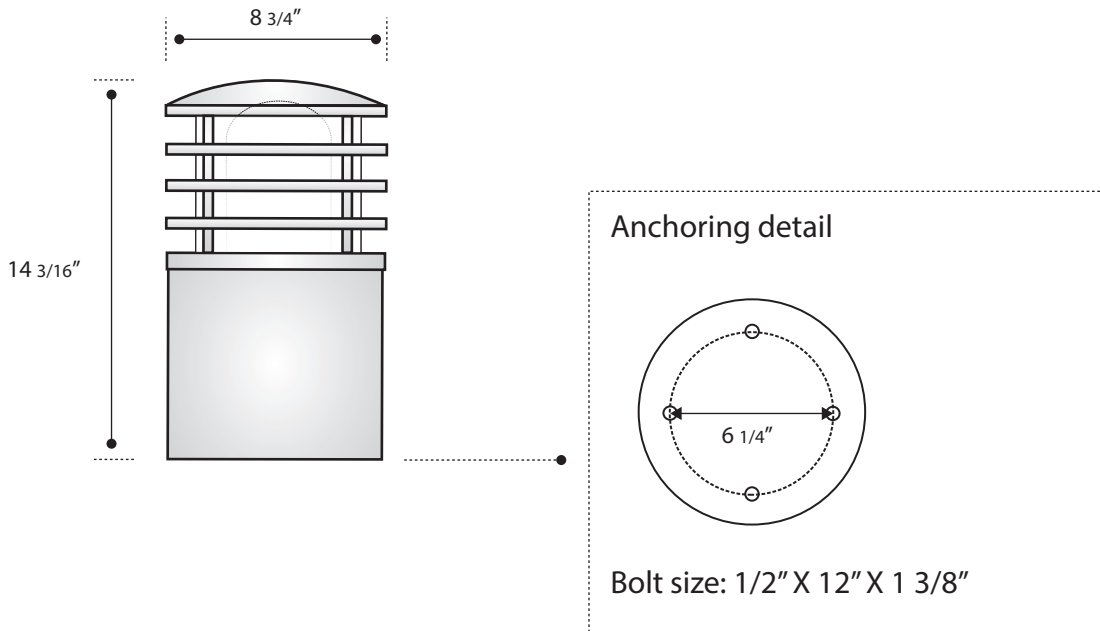
- Lumens are based on max wattage & 5000K CCT
- IES files available upon request
- Std - Standard Offering





### Dimensions & Mounting:

Please note that drawings are not to scale.



### Listing:

Complies to CSA and UL standards.

### Polar Graph:

