



Date:
Type:
Project:



TORCH - WALL MOUNT

DESCRIPTION:

Luminaire designed for building entrances. Made of heavy duty aluminum and suitable for wet locations.

Name	Lamping	Lumens	Color Temp	Electrical		Mounting	
TORCH	9W LED (Max)	595	3000K	UNV	120-277V	WM	Wall Mount
			4000K	HLV	347-480V	AN12	12 degree slant from wall
	Red, Green or Blue LEDs		5000K				
	*Contact for other wattages	*Contact for custom	*Specify other				

Lens		Light Pattern		Options		Finishes		
CPL	Clear Polycarbonate Lens (Std)	TY5	Type V	DM	0-10V Dimming	BL	Black	
FL	Frosted Lens			DM1	1% Dimming	WH	White	
				WCB	Wood Cone Base	SG	Silver Grey	
				TS	Tamperproof Screwdriver	BZ	Bronze	
							*See finishes info on website	

✦ Lumens are based on Max Wattage and 5000K CCT

Std - Standard Offering

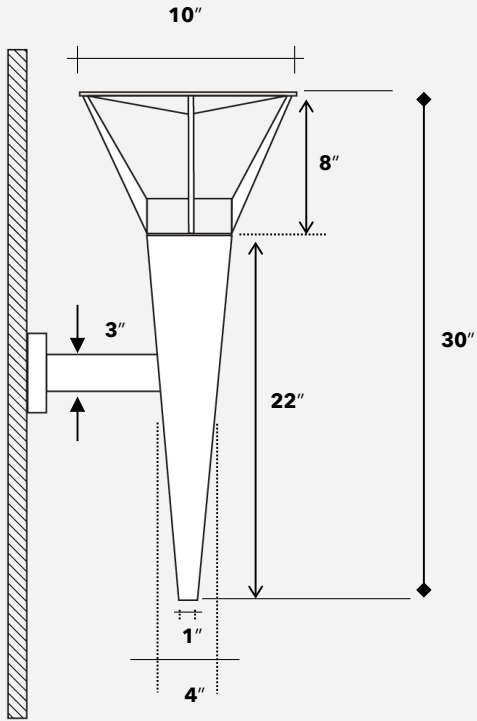
TORCH- _____ - _____ - _____ - _____ - _____ - _____ - _____ - _____

Customization Notes:

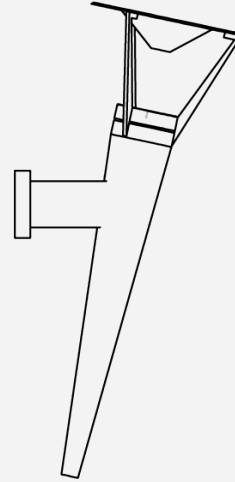
▶▶▶ Info on this spec sheet will change without notice as product development is an ongoing process.

Dimensions & Mounting (drawings are not to scale)

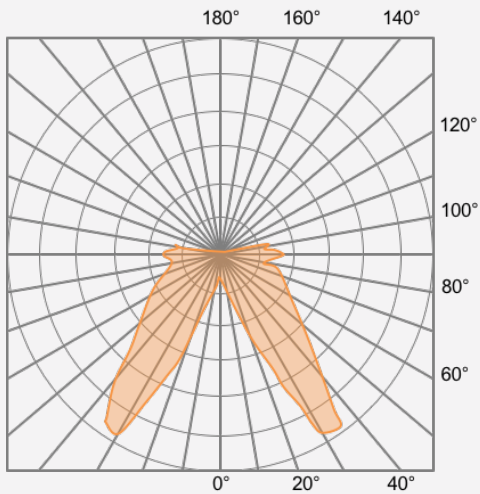
Wall Mount



12 Degree Slant



Polar Graph



TYPE V