



Date
Quote #
Project Name
Type



## SSQB - Bollard

### Description:

Fabricated aluminum housing with 4 extruding bars, bars are separated by 90 degree angles. Clear glass lens is standard. All external hardware is stainless steel.

Name	Engine	Lumens	CCT	Electrical	Mounting	Lens	Pattern	Options	Finish
<input type="text"/>	<input type="text"/>	<input type="text"/>	<input type="text"/>	<input type="text"/>	<input type="text"/>	<input type="text"/>	<input type="text"/>	<input type="text"/>	<input type="text"/>

Name	Light Engine	Source Lumens(LED)	Color Temp	Electrical
SSQB	20W LED (Max)	2814	3000K	UNV 120-277V
			3500K	HLV 347-480V
			4000K	
			5000K	

Contact for custom

Contact for custom

Contact for custom

Mounting		Lens		Light Pattern		Options		Finishes	
ABT	Anchor, bolts & template	CG	Clear glass lens (Std)	TY5	Type V (Std)	MS	Motion sensor	Standard	
		CPL	Clear polycarbonate lens			SD	Step dimming	BL	Black
						TP	Tamperproof hardware	WH	White
						TS	Tamperproof screws	SG	Silver Grey
						PC	Button photocell	BZ	Bronze
								Custom	
						GFR	Ground fault receptacle	CC	Custom Color
						SF	Single fuse	See website for custom colors. Contact factory for physical samples.	

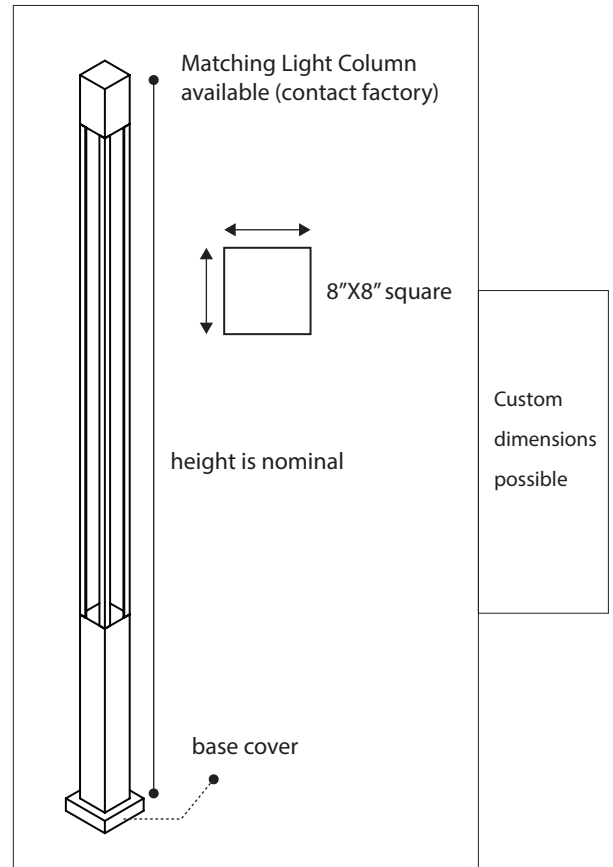
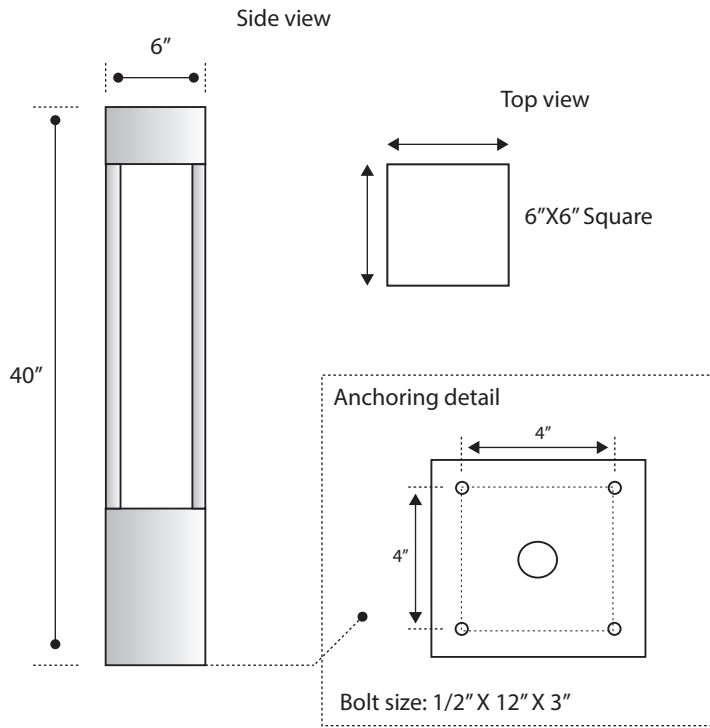
- Lumens are based on max wattage & 5000K CCT
- IES files available upon request
- Std - Standard Offering





**Dimensions & Mounting:**

Please note that drawings are not to scale.



**Listing:**

Complies to CSA and UL standards.

**Polar Graph:**

