



Date:
Type:
Project:



SSQB-4B - BOLLARD

DESCRIPTION:

Die-cast aluminum housing. Hinged door cover. Clear lens is standard. All external hardware is stainless steel.

Name	Lamping		Lumens	Color Temp	Electrical		Mounting	
SSQB-4B-38	38"	7W LED (Max)	834	3000K	UNV	120-277V	ABT	Anchor, Bolts & Template
SSQB-4B-60	60"	18W LED (Max)	2416	4000K	HLV	347-480V		
				5000K				
	Red, Green, or Blue LEDs							
	*Contact for other wattages		*Contact for custom	*Specify other			*Contact Solera for other lengths	

Lens		Light Pattern		Options		Finishes		
OAL	Opal Acrylic Lens	TY5	Type V (Std)	TP	Tamperproof Hardware	BL	Black	
				TS	Tamperproof Screwdriver	WH	White	
				PC	Button Photocell	SG	Silver Grey	
				SF	Single Fuse	BZ	Bronze	
				PERF	Perforated Insert (inside lens)			
				HCO	House Side Cutoff			
							*See finishes brochure for custom	

✦ Lumens are based on Max Wattage and 5000K CCT

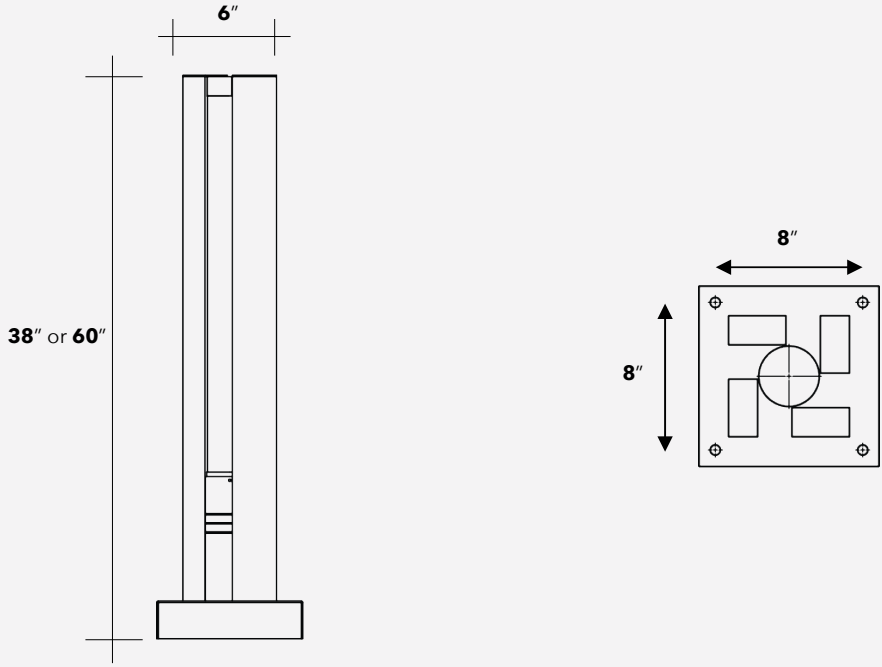
Std - Standard Offering

SSQB-4B-_____

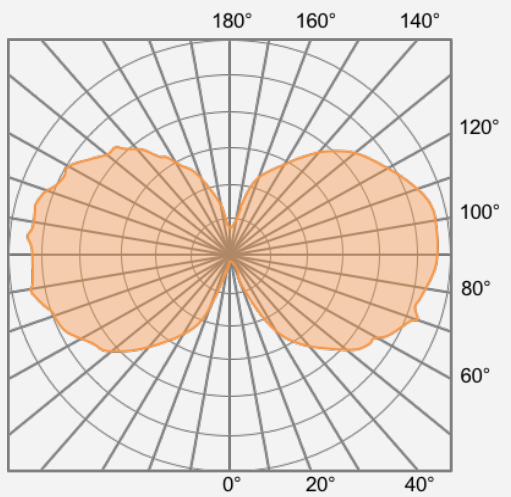
Customization Notes:

▶▶▶ Info on this spec sheet will change without notice as product development is an ongoing process.

Dimensions & Mounting (drawings are not to scale)



Polar Graph



TYPE V