



<b>Date:</b>
<b>Type:</b>
<b>Project:</b>



**SSL-25 - RECESSED**

**DESCRIPTION:**

Small scale luminaire with sleek design. Red, Green and Blue LEDs available.

Name	Lamping	Lumens	Color Temp	Electrical		Mounting	
SSL-25	3W LED (Max)	428	3000K	UNV	120-277V	R	Recessed in dry wall
			4000K	HLV	347-480V	RTC	Recessed in concrete
	Red, Green or Blue LEDs		5000K				
	*Contact for other wattages	*Contact for custom	*Specify other				

Lens		Light Pattern		Options		Finishes	
FG	Frosted Glass Lens (Std)	D	Down Light	DM	0-10V Dimming	BL	Black
CG	Clear Glass Lens			WL	Wet Location	WH	White
				TP	Tamperproof Hardware	SG	Silver Grey
				TS	Tamperproof Screwdriver	BZ	Bronze
							*See finishes info on website

✦ Lumens are based on Max Wattage and 5000K CCT

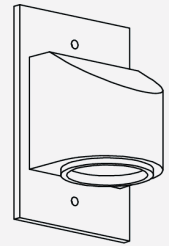
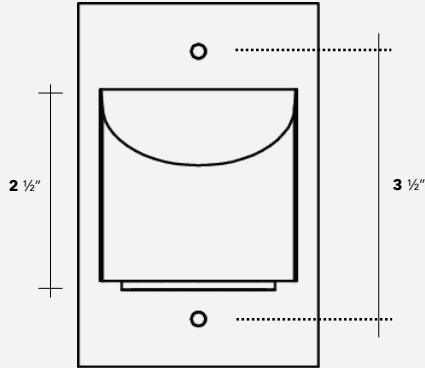
Std - Standard Offering

SSL-25- \_\_\_\_\_

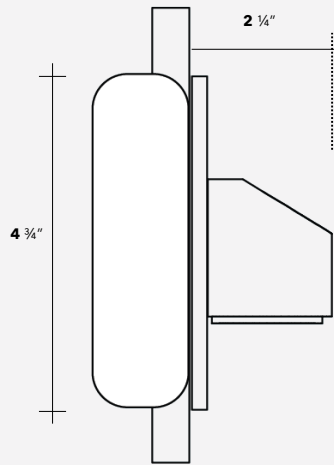
**Customization Notes:**

▶▶▶ Info on this spec sheet will change without notice as product development is an ongoing process.

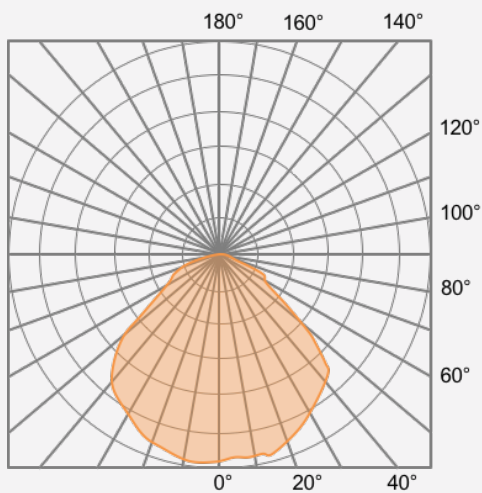
### Dimensions & Mounting (drawings are not to scale)



ISO View



### Polar Graph



Down Light