

Date:
Type:
Project:



SRLU - PENDANT

DESCRIPTION:

Constructed of 1/8" thick extruded aluminum (6061-T6 alloy). The lens is made of diffusive opal. All external hardware is stainless steel.

Name	Lamping		Lumens ▼	Color Temp	Electrical		Mounting		
	Length	LED Count			UNV	Voltage	Mounting Code	Mounting Description	
SRLU-18	18"	18 LED (Max)	3168	3000K	UNV	120-277V	3AC48-CMB	3X48" aircraft cables with individual canopies	
SRLU-24	24"	24 LED (Max)	4224	4000K	HLV	347-480V	3AC48-TR	3 aircraft cables converge to single canopy	
SRLU-36	36"	36 LED (Max)	6336	5000K			3AC48-SPD	3 aircraft cables connect to spider mount hub	
SRLU-48	48"	48 LED (Max)	8448				P36	36" Pendant Stem	
SRLU-60	60"	60 LED (Max)	10560						
SRLU-72	72"	72 LED (Max)	12672						
		*Contact for other wattages	*Contact for custom	*Specify other					*Contact for other lengths

Lens		Light Pattern		Options		Finishes		
OPL	Opal Polycarbonate Lens (Std)	D	Down Light (Std)	DM	0-10V Dimming	BL	Black	
ABL	Alabaster Lens	UD	Up and Down Light	DM1	Dimming 1%	WH	White	
				EM	Emergency Battery	SG	Silver Grey	
						BZ	Bronze	
							*See finishes info on website	

❖ Lumens are based on Max Wattage and 5000K CCT

▼ Lumens are for down light only

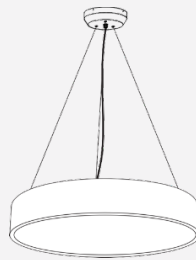
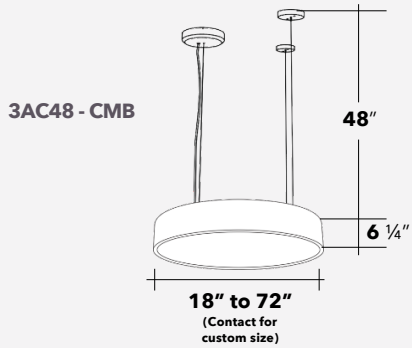
Std - Standard Offering

SRLU- _____ - _____ - _____ - _____ - _____ - _____ - _____ - _____

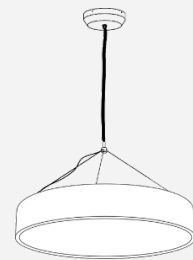
Customization Notes:

▶▶▶ Info on this spec sheet will change without notice as product development is an ongoing process.

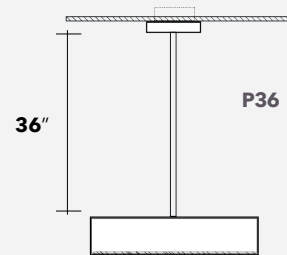
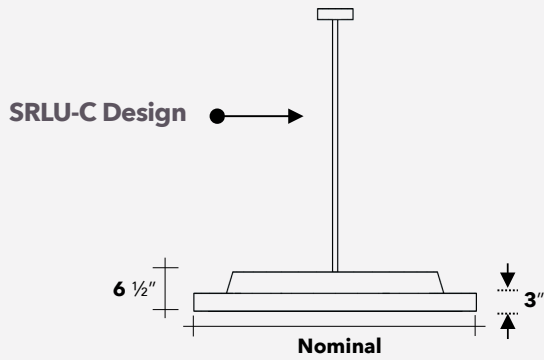
Dimensions & Mounting (drawings are not to scale)



3AC48 - TR

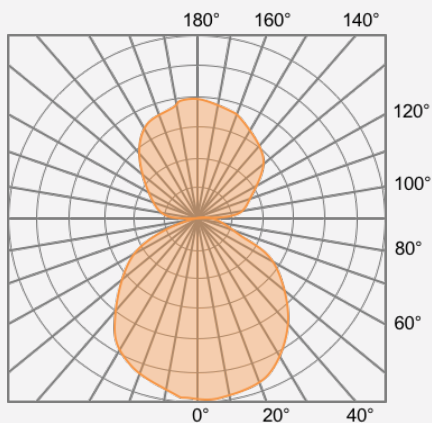


3AC48 - SPD



Polar Graph

Up and Down Light



Down Light

