



Date:
Type:
Project:



SRB8-T - LIGHT COLUMN

DESCRIPTION:

Built to withstand the harshest conditions. Heavy duty extruded aluminum (6061-T6 Alum) housing construction with clear acrylic lens.

Name	Lamping	Lumens	Color Temp	Electrical		Mounting	
SRB8-T	36W LED (Max)	4061	3000K	UNV	120-277V	WM	Wall Mount
			4000K	HLV	347-480V		
			5000K				
	*Contact for other wattages	*Contact for custom	*Specify other				

Lens		Light Pattern		Options		Finishes	
CPL	Clear Polycarbonate Lens (Std)	TY5	Type V (Std)	TP	Tamperproof Hardware	BL	Black
		TY3	Type III	TS	Tamperproof Screwdriver	WH	White
				PC	Button Photocell	SG	Silver Grey
				SF	Single Fuse	BZ	Bronze
				GFR	Ground Fault Receptacle		
						*See finishes info on website	

✦ Lumens are based on Max Wattage and 5000K CCT

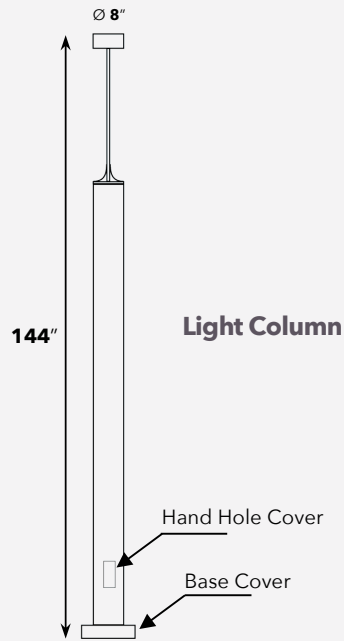
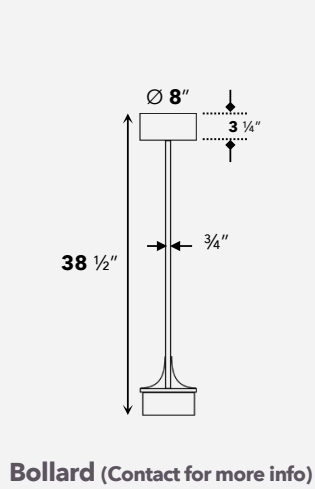
Std - Standard Offering

SRB8-T- _____ - _____ - _____ - _____ - _____ - _____ - _____ - _____

Customization Notes:

▶▶▶ Info on this spec sheet will change without notice as product development is an ongoing process.

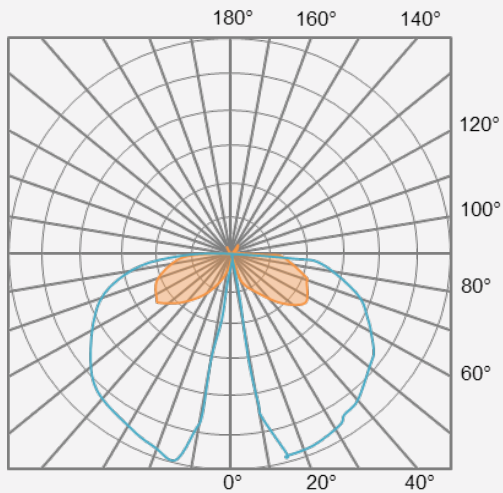
Dimensions & Mounting (drawings are not to scale)



Iso View



Polar Graph



TYPE V