



Date:
Type:
Project:



SRB8-F-X - BOLLARD

DESCRIPTION:

Constructed of one piece aluminum flat top cap & extruded aluminum shaft. Upper assembly is secured with internal screws to the extruded shaft (6061-T6 Aluminum Alloy).

Name	Lamping	Lumens	Color Temp	Electrical		Mounting	
SRB8-F-X	20W LED (Max)	2814	3000K	UNV	120-277V	ABT	Anchor, Bolts & Template
			4000K	HLV	347-480V		
			5000K				
	*Contact for other wattages		*Contact for custom	*Specify other			

Lens		Light Pattern		Options		Finishes	
OPL	Opal Polycarbonate Lens (Std)	TY5	Type V (Std)	TP	Tamperproof Hardware	BL	Black
OAL	Opal Acrylic Lens			TS	Tamperproof Screwdriver	WH	White
				PC	Button Photocell	SG	Silver Grey
				SF	Single Fuse	BZ	Bronze
				DT	Dome Top		
				HCO	House Side Cutoff		
						*See finishes info on website	

✦ Lumens are based on Max Wattage and 5000K CCT

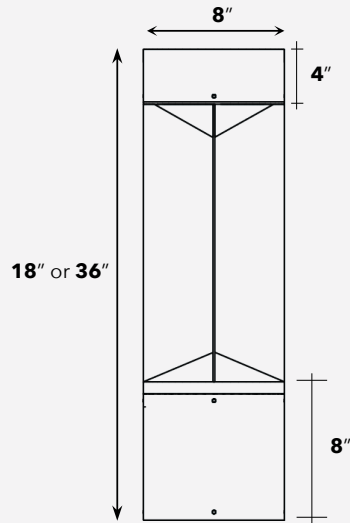
Std - Standard Offering

SRB8-F-X- _____

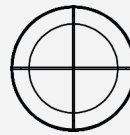
Customization Notes:

*** Info on this spec sheet will change without notice as product development is an ongoing process.

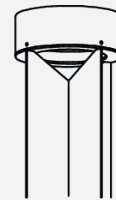
Dimensions & Mounting (drawings are not to scale)



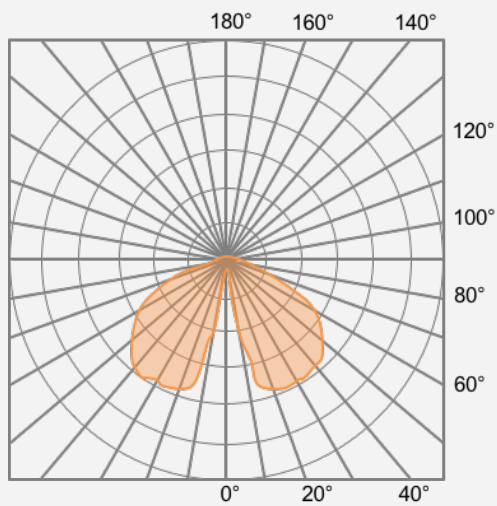
Top View



Iso View



Polar Graph



TYPE V