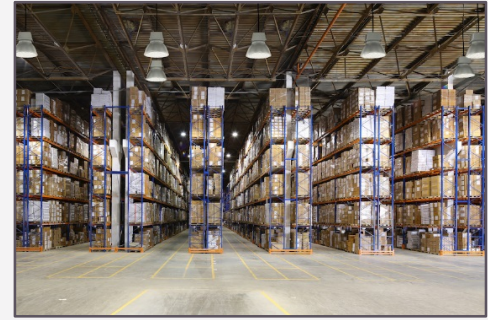




**Date:**

**Type:**

**Project:**



**SP18/22 - PENDANT**

**DESCRIPTION:**

Cast aluminum housing with either a spun aluminum reflector or prismatic acrylic refractor.

Name	Lamping		Lumens	Color Temp	Electrical		Mounting	
SP-18	18	120 LED (Max) 400MH	17592	3000K	UNV	120-277V	3C	3' cab tire with hook (Std)
SP-22				4000K	HLV	347-480V	HUB	HUB for stem (by others)
	22	144 LED (Max) 1000MH 8CFL42	21984	5000K	TT	Tri-Tap (HID)	AC36	36" Aircraft Cable
					MT	Multi-Tap (HID)	P36	36" Pendant Stem
*Contact for other wattages			*Contact for custom	*Specify other				

Lens		Light Pattern		Options		Finishes		
CAL	Clear Acrylic Lens (Std)	D	Down Light	DM	0-10V Dimming	BL	Black	
LBA	Low Bay Acrylic Lens			2CC	2 Circuit Wiring	WH	White	
CG	Clear Glass Lens			SF	Single Fuse	SG	Silver Grey	
PG	Prismatic Glass Lens			WG	Wire Guard	BZ	Bronze	
							*See finishes brochure for custom	

✦ Lumens are based on Max Wattage and 5000K CCT

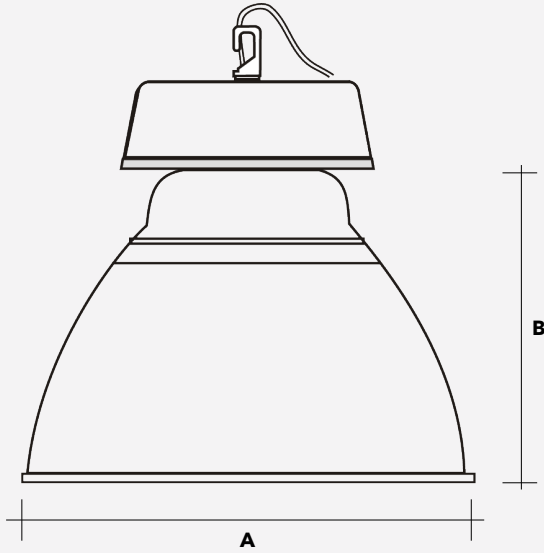
Std - Standard Offering

SP - \_\_\_\_\_

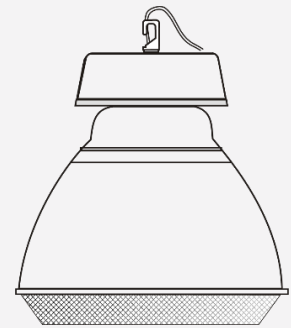
**Customization Notes:**

▶▶▶ Info on this spec sheet will change without notice as product development is an ongoing process.

**Dimensions & Mounting** (drawings are not to scale)

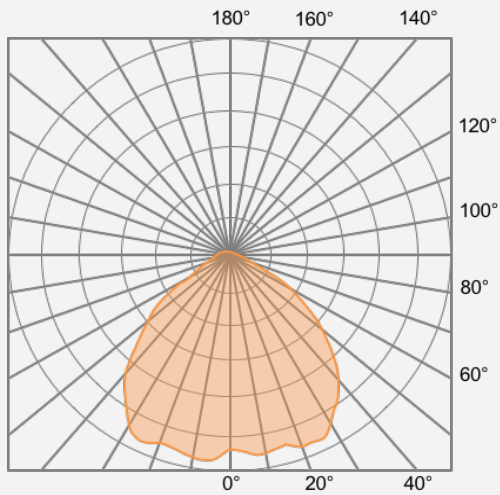


	A	B
SP-18	18"	12"
SP-22	22"	12"



With Low Bay Acrylic Lens

**Polar Graph**



Down Light