



Date
Quote #
Project Name
Type



SOL - Pole Mount

Description:

SOL is a circular pole mount constructed of aluminum with an additional compartment on top to dissipate heat. All external hardware is stainless steel.

Name - Engine - Lumens - CCT - Electrical - Mounting - Lens - Pattern - Options - Finish

Name	Light Engine	Source Lumens _{(LED)(5000K)}	Color Temp	Electrical
SOL	144W LED (Max)	16227	3000K	UNV 120-277V
	400 HPS		3500K	HLV 347-480V
	450 MH		4000K	TT Tri-Tap(HID)
			5000K	MT Multi-Tap(HID)

Contact for custom Contact for custom Contact for custom

Mounting	Lens	Light Pattern	Options	Finishes
ADJ-PT3 Adjustable slip fitter for 3" pole	CPL Clear polycarbonate lens (Std)	TY5 Type V (Std)	SD Step dimming	Standard
ST-6 6" straight aluminum arm	CG Clear glass lens (Std)	TY4 Type IV	MS Motion sensor	BL Black
SPD Spider pole slip fitter	PG Prismatic glass lens	TY3 Type III	TP Tamperproof hardware	WH White
PT4 Post top slips over 4" pole		TY2 Type II	TS Tamperproof screws	SG Silver Grey
P36 36" pendant stem			PC Bottom photocell	BZ Bronze
			GFI Ground fault interrupter	Custom
			PCR Photocell receptacle	CC Custom Color
			TCO Trespass cut off	See website for custom colors. Contact factory for physical samples.

For better illustration on mounting see (page 2)

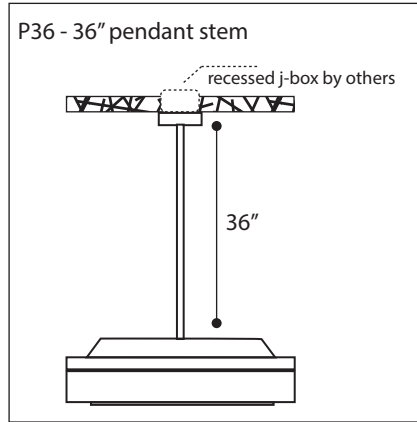
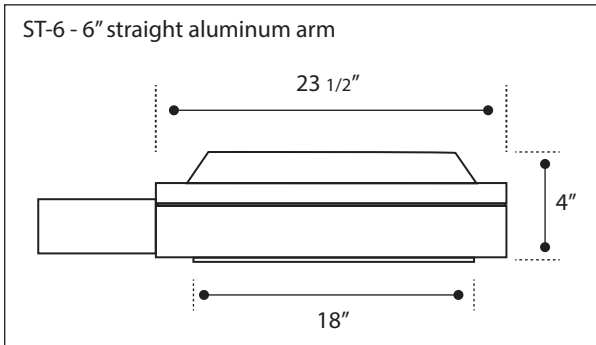
- Lumens are based on max wattage & 5000K CCT
- IES files available upon request
- Std - Standard Offering



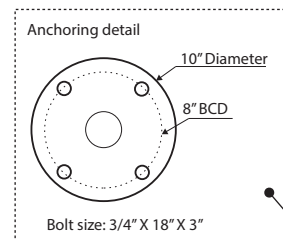
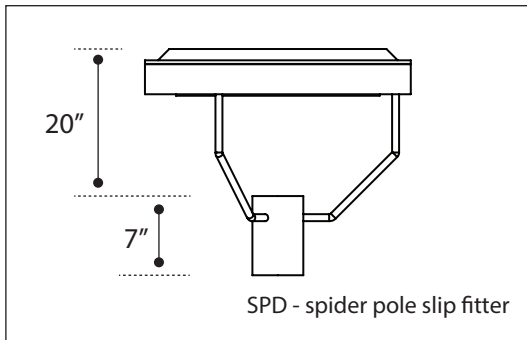
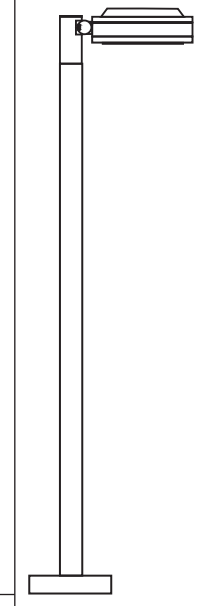


Dimensions & Mounting:

Please note that drawings are not to scale.



ADJ-PT3 - adjustable slip fitter for 3" pole

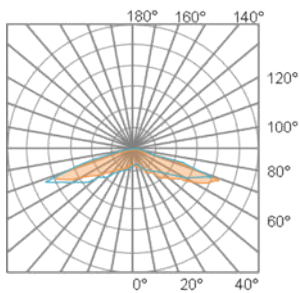


Listing:

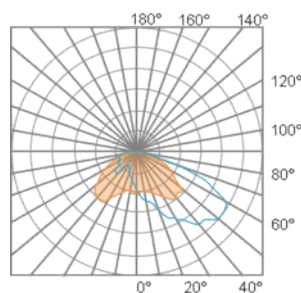
Complies to CSA and UL standards.

Polar Graph:

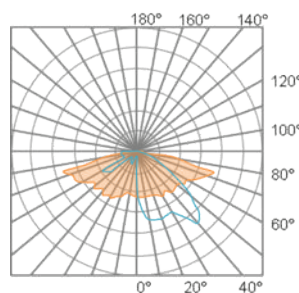
TY5



TY4



TY3



TY2

