



<b>Date:</b>
<b>Type:</b>
<b>Project:</b>



**SNTC - POLE MOUNT/ POST TOP**

**DESCRIPTION:**

Single head spun aluminum housing construction with decorative cage assembly. One piece acrylic lens.

Name	Lamping	Lumens	Color Temp	Electrical		Mounting	
SNTC	42W LED (Max)	5460	3000K	UNV	120-277V	PT4	Post top slips over 4" pole
	150HPS		4000K	HLV	347-480V	DA4	Decorative Straight Arm for 4" pole
	200MH		5000K	TT	Tri-Tap (HID)	DA5	Decorative Straight Arm for 5" pole
				MT	Multi-Tap (HID)		
	*Contact for other wattages	*Contact for custom	*Specify other				

Lens		Light Pattern		Options		Finishes	
CAL	Clear Acrylic Lens	TY5	Type V (Std)	TP	Tamperproof Hardware	BL	Black
		TY3	Type III	HCO	House Side Cutoff	WH	White
				DM	0-10V Dimming	SG	Silver Grey
				PC	Button Photocell	BZ	Bronze
							*See finishes info on website

✦ Lumens are based on Max Wattage and 5000K CCT

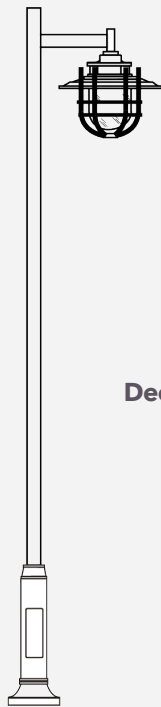
Std - Standard Offering

SNTC - \_ \_ \_ \_ \_

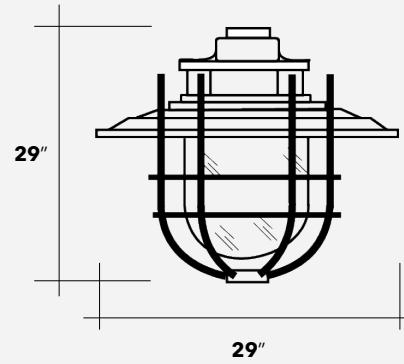
**Customization Notes:**

▶▶▶ Info on this spec sheet will change without notice as product development is an ongoing process.

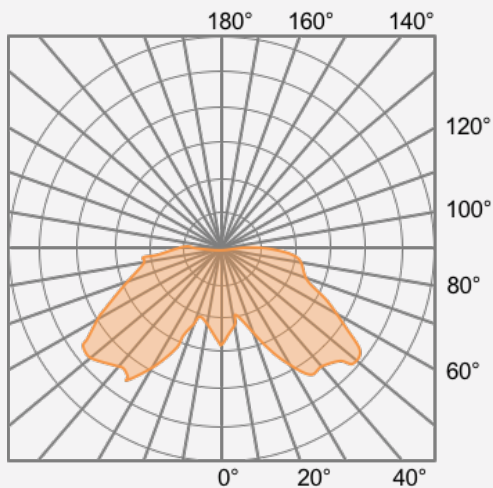
### Dimensions & Mounting (drawings are not to scale)



Decorative Straight Arm



### Polar Graph



TYPE V