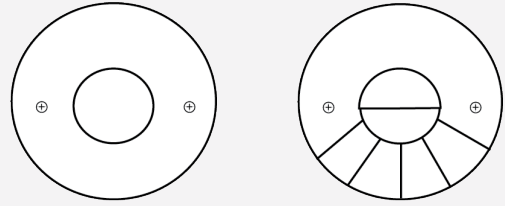




Date:
Type:
Project:



SMSL - RECESSED

DESCRIPTION:

Cast aluminum fixture with face plate.
Stainless steel external hardware.

Name	Lamping	Lumens	Color Temp	Electrical		Mounting	
SMSL	10W LED (Max)	985 (Full Face)	3000K	UNV	120-277V	RTC	Recessed in Concrete
	MR16	985 (Half Face)	4000K	HLV	347-480V		
			5000K				
	*Contact for other wattages	*Contact for custom	*Specify other				

Lens		Light Pattern		Options		Finishes		
CG	Clear Glass Lens (Std)	FF	Full Face	TP	Tamperproof Hardware	BL	Black	
CPL	Clear Polycarbonate Lens	HF	Hood Face	TS	Tamperproof Screwdriver	WH	White	
				SF	Single Fuse	SG	Silver Grey	
						BZ	Bronze	
							*See finishes info on website	

✦ Lumens are based on Max Wattage and 5000K CCT

Std - Standard Offering

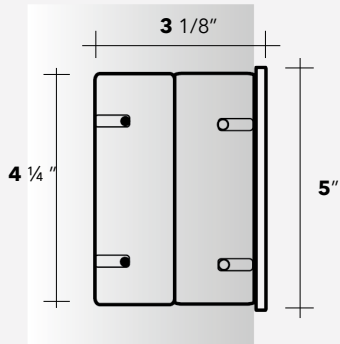
SMSL - - - - -

Customization Notes:

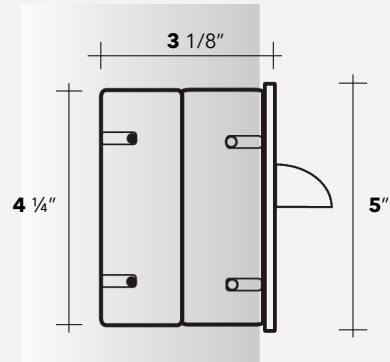
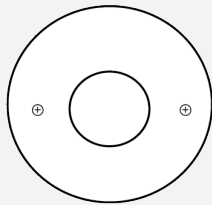
▶▶▶ Info on this spec sheet will change without notice as product development is an ongoing process.



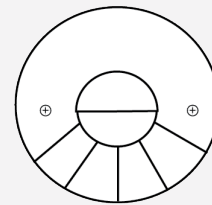
Dimensions & Mounting (drawings are not to scale)



Full Face

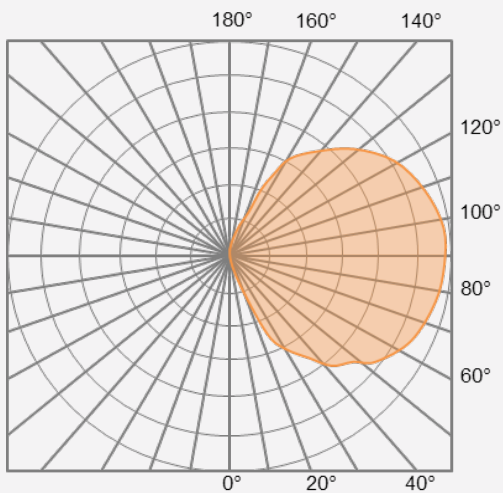


Hood Face



Polar Graph

SMSL - FF



SMSL - HF

