



<b>Date:</b>
<b>Type:</b>
<b>Project:</b>



**SLTS/SLTR - POST TOP/POLE MOUNT**

**DESCRIPTION:**

Die formed housing, with one piece heavy gauge aluminum upper section. The lower section consists of a one piece lens.

Name	Lamping	Lumens ▼	Color Temp	Electrical		Mounting	
SLTS	175W LED (Max)	20838	3000K	UNV	120-277V	PT4	Post top slips over 4" pole
SLTR	1000HPS		4000K	HLV	347-480V	PT3	Post top slips over 3" pole
	400MH-PS		5000K	TT	Tri-Tap (HID)		
	1000MH			MT	Multi-Tap (HID)		
	*Contact for other wattages	*Contact for custom	*Specify other				

Lens		Light Pattern		Options		Finishes	
CAL	Clear Acrylic Lens	TY5	Type V (Std)	HCO	House Side Cutoff	BL	Black
CPL	Clear Polycarbonate Lens	TY3	Type III	PC	Button Photocell	WH	White
		TY2	Type II	PCR	Photocell Receptacle	SG	Silver Grey
						BZ	Bronze
							*See finishes info on website

✦ Lumens are based on Max Wattage and 5000K CCT

▼ Lumens are for Type V distribution, contact for other spread patterns

Std - Standard Offering

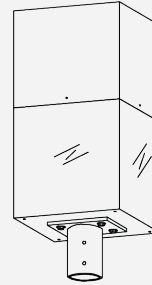
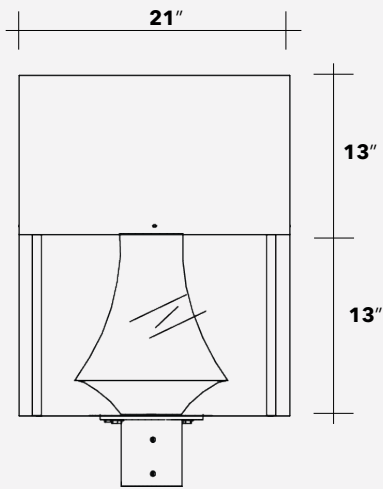
SLTS - \_\_\_\_\_

SLTR - \_\_\_\_\_

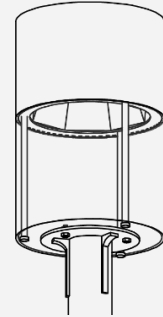
**Customization Notes:**

▶▶▶ Info on this spec sheet will change without notice as product development is an ongoing process.

### Dimensions & Mounting (drawings are not to scale)

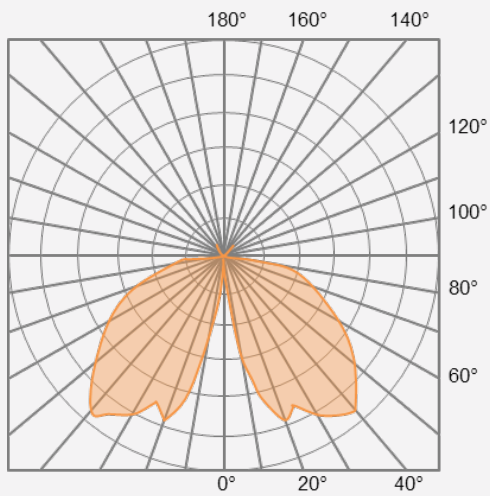


SLTS



SLTR

### Polar Graph



TYPE V