

<b>Date:</b>
<b>Type:</b>
<b>Project:</b>



### SKYLINE - PENDANT

**DESCRIPTION:**

Fabricated aluminum housing with continuous welded seam. Adjustable housing compartments. Contact for custom length.

Name	Lamping		Lumens	Color Temp	Electrical		Mounting	
SKY 902	902	3 X 7W LED (Max)	878 each 2634 total	3000K	UNV	120-277V	AC	Suspended with aircraft cables
SKY 908				4000K	HLV	347-480V	R	Recessed in solid ceiling
	908	18 X 28W LED (Max)	3484 each 62712 total	5000K	TT	Tri-Tap (HID)		
				MT	Multi-Tap (HID)			
	# of lamps customizable							
	*Contact for other wattages		*Contact for custom	*Specify other				

Lens		Light Pattern		Options		Finishes		
N/A	Not Available	D	Down Light (Std)	DM	0-10V Dimming	BL	Black	
				DM1	1% Dimming	WH	White	
				ADJ	Adjustable Housing	SG	Silver Grey	
						BZ	Bronze	
							*See finishes info on website	

✦ Lumens are based on Max Wattage and 5000K CCT

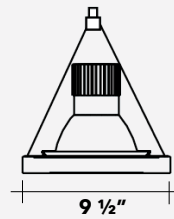
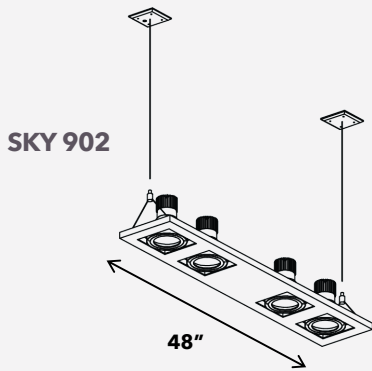
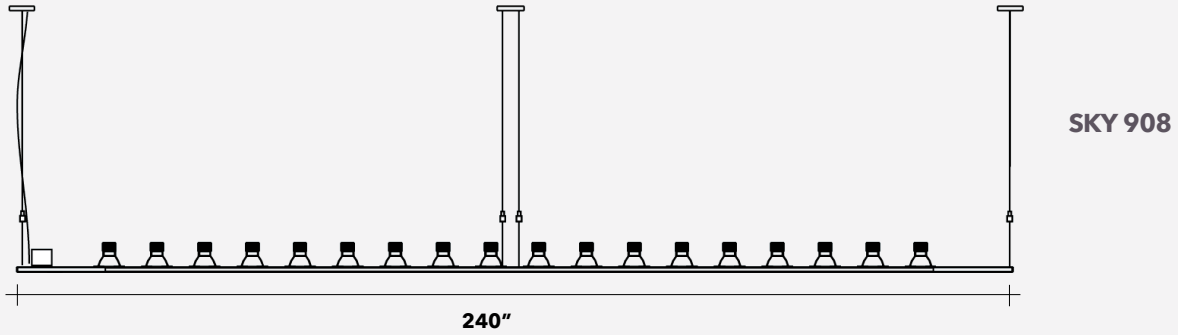
Std - Standard Offering

SKY- \_\_\_\_\_

**Customization Notes:**

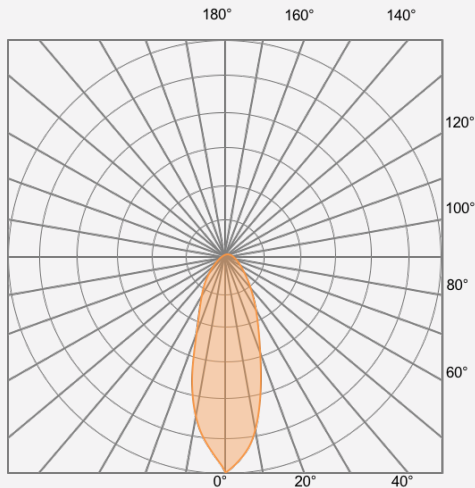
▶▶▶ Info on this spec sheet will change without notice as product development is an ongoing process.

### Dimensions & Mounting (drawings are not to scale)



Side View

### Polar Graph



Down Light