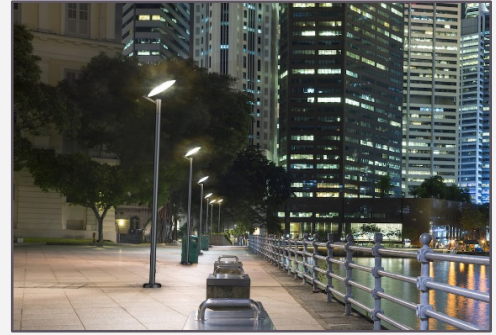




| |
|-----------------|
| Date: |
| Type: |
| Project: |



SKY - POST TOP/POLE MOUNT

DESCRIPTION:

SKY is an aesthetically pleasing post-top that distributes light indirectly as well as asymmetrically.

| Name | Lamping | Lumens | Color Temp | Electrical | | Mounting | |
|------|-----------------------------|---------------------|----------------|------------|-----------------|----------|---------------------------------|
| SKY | 42W LED (Max) | 7306 | 3000K | UNV | 120-277V | PT4 | Post top slips over 4" dia pole |
| | 150 MH-T6 | | 4000K | HLV | 347-480V | PT3 | Post top slips over 3" dia pole |
| | 57 CFL | | 5000K | TT | Tri-Tap (HID) | | |
| | | | | MT | Multi-Tap (HID) | | |
| | *Contact for other wattages | *Contact for custom | *Specify other | | | | |

| Lens | | Light Pattern | | Options | | Finishes | |
|------|------------------|---------------|------------|---------|----------------------------|----------|-------------------------------|
| CG | Clear Glass Lens | ASY | Asymmetric | TP | Tamperproof Hardware | BL | Black |
| | | | | TS | Tamperproof Screwdriver | WH | White |
| | | | | ELB | Electronic HID Ballast | SG | Silver Grey |
| | | | | AEL | Quartz Restrike (relay) | BZ | Bronze |
| | | | | MEL | Quartz Restrike (no relay) | | |
| | | | | | | | *See finishes info on website |

✦ Lumens are based on Max Wattage and 5000K CCT

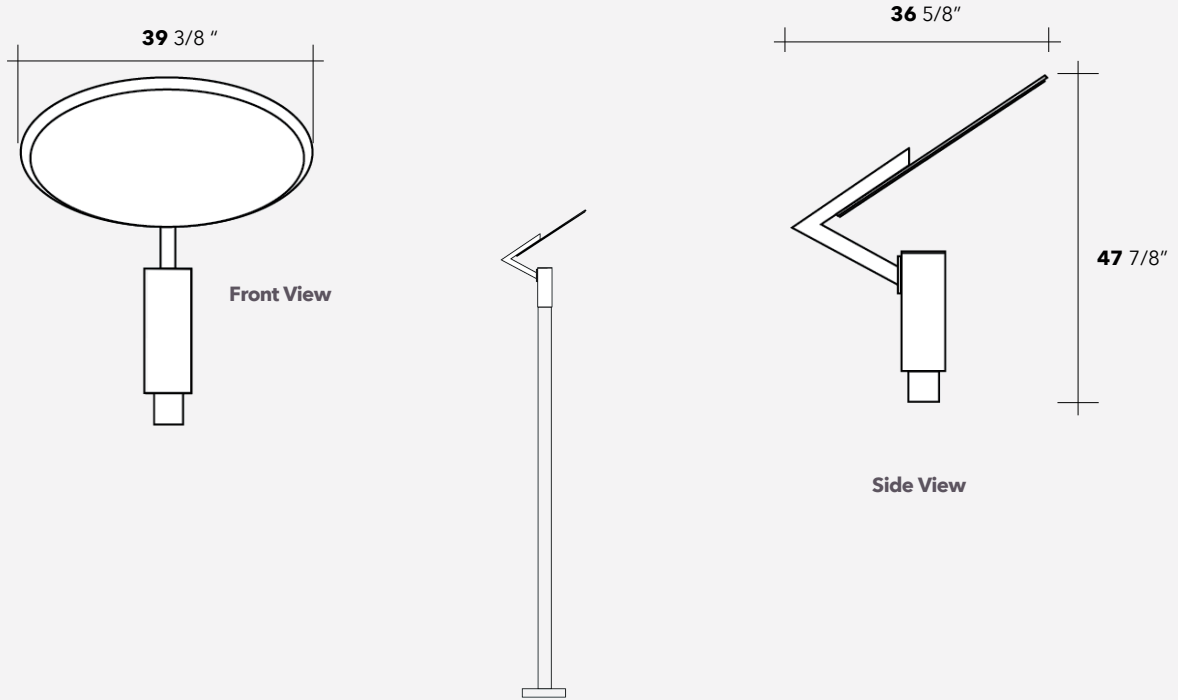
Std - Standard Offering

SKY- _____

Customization Notes:

▶▶▶ Info on this spec sheet will change without notice as product development is an ongoing process.

Dimensions & Mounting (drawings are not to scale)



Polar Graph

