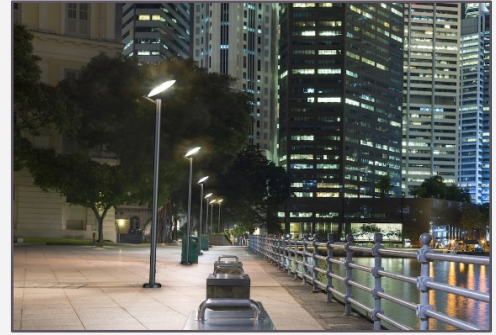




Date:
Type:
Project:



SKY - POST TOP/POLE MOUNT

DESCRIPTION:

SKY is an aesthetically pleasing post-top that distributes light indirectly as well as asymmetrically.

Name	Lamping	Lumens	Color Temp	Electrical		Mounting	
SKY	42W LED (Max)	7306	3000K	UNV	120-277V	PT4	Post top slips inside 4" pole
	150 MH-T6		4000K	HLV	347-480V		
	57 CFL		5000K	TT	Tri-Tap (HID)		
				MT	Multi-Tap (HID)		
	*Contact for other wattages	*Contact for custom	*Specify other				

Lens		Light Pattern		Options		Finishes		
CG	Clear Glass Lens	ASY	Asymmetric	TP	Tamperproof Hardware	BL	Black	
				TS	Tamperproof Screwdriver	WH	White	
				ELB	Electronic HID Ballast	SG	Silver Grey	
				AEL	Quartz Restrike (relay)	BZ	Bronze	
				MEL	Quartz Restrike (no relay)			
							*See finishes info on website	

✦ Lumens are based on Max Wattage and 5000K CCT

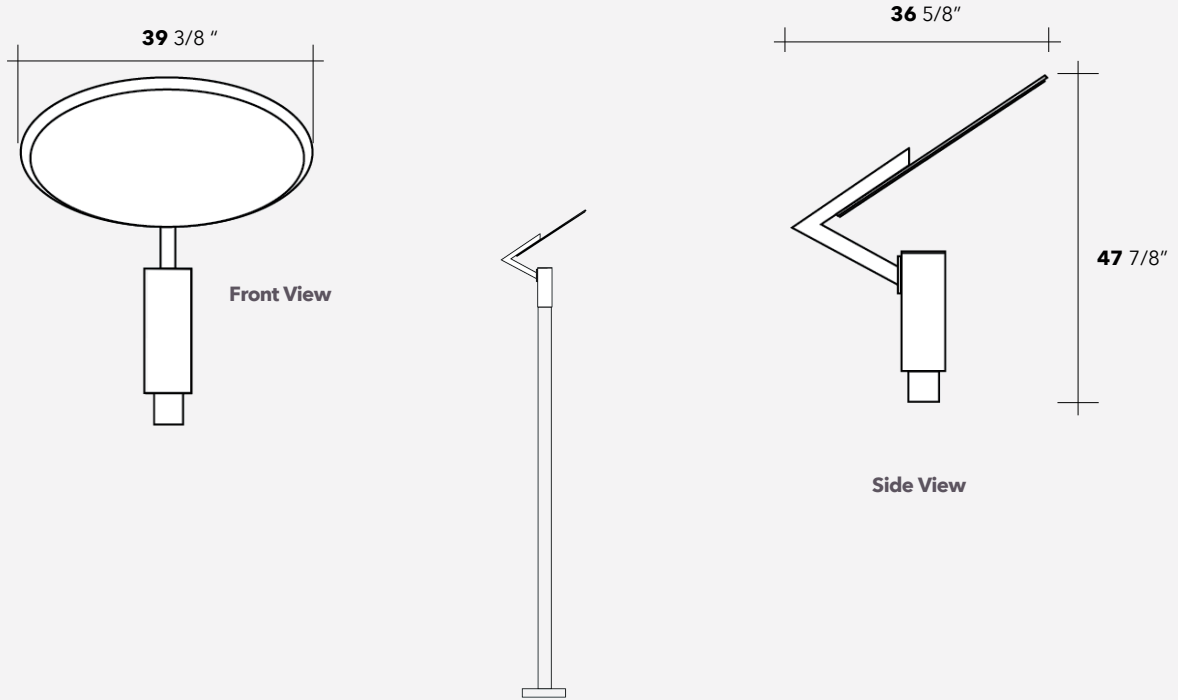
Std - Standard Offering

SKY- _____

Customization Notes:

▶▶▶ Info on this spec sheet will change without notice as product development is an ongoing process.

Dimensions & Mounting (drawings are not to scale)



Polar Graph

