



Date:
Type:
Project:



SINR - WALL MOUNT

DESCRIPTION:

Heavy Duty die cast aluminum housing with heat and impact resistant tempered glass lens.

Name	Lamping	Lumens ▼	Color Temp	Electrical		Mounting	
SINR	144W LED (Max)	16227	3000K	UNV	120-277V	WM	Wall Mount
	175MH		4000K	HLV	347-480V		
	150HPS		5000K				
	2PLT42						
	*Contact for other wattages	*Contact for custom	*Specify other				

Lens		Light Pattern		Options		Finishes	
CG	Clear Glass Lens	TY5	Type V (Std)	RB	Remote Ballast/Driver	BL	Black
FG	Frosted Glass Lens	TY2	Type IV	PC	Button Photocell	WH	White
CPL	Clear Polycarbonate Lens	TY3	Type III	TS	Tamperproof Screwdriver	SG	Silver Grey
		TY4	Type II	EM	Emergency Battery	BZ	Bronze
				SF	Single Fuse		
				TP	Tamperproof Hardware		
				AEL	Quartz Restrike		
				DCO	Dark Sky Cut Off		
						*See finishes info on website	

✦ Lumens are based on Max Wattage and 5000K CCT

▼ Lumens are for Type V distribution, contact for other spread patterns

Std - Standard Offering

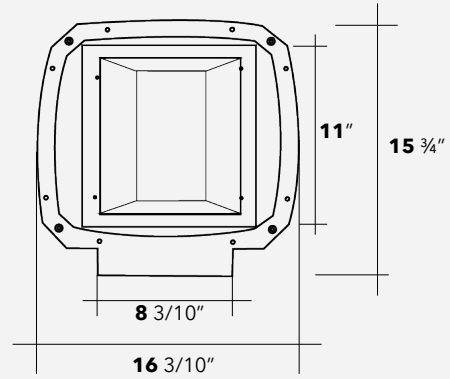
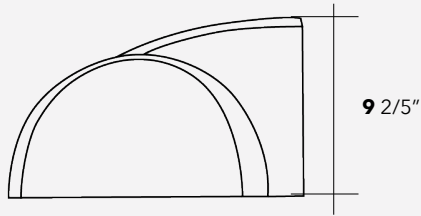
SINR - _____

Customization Notes:

▶▶▶ Info on this spec sheet will change without notice as product development is an ongoing process.

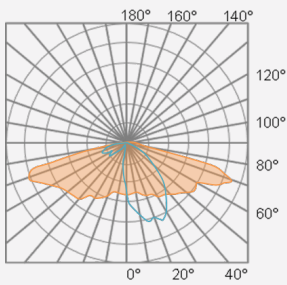


Dimensions & Mounting (drawings are not to scale)

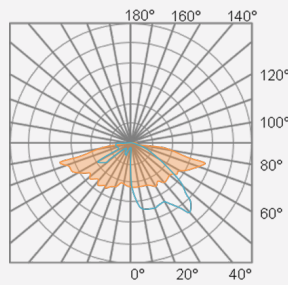


Polar Graph

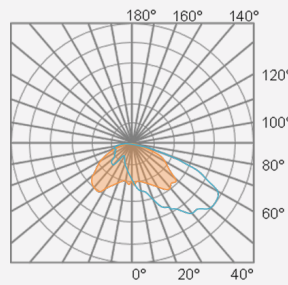
TYPE II



TYPE III



TYPE IV



TYPE V

