



Date:
Type:
Project:



SIND - PENDANT

DESCRIPTION:

SIND is a curved scoop luminaire ideal for indoor pools as well as recreation centers.

Name	Lamping		Lumens	Color Temp	Electrical		Mounting	
SIND-S	S	42 LED (Max) 100 MH 2PLT42	5460	3000K	UNV	120-277V	P48	¾" X 48 Stem Pendant
SIND-M				4000K	HLV	347-480V	2P48	Twin Cluster
SIND-L	M	72 LED (Max) 250 MH 2PLT42	9360	5000K	TT	Tri-Tap (HID)		
					MT	Multi-Tap (HID)		
	L	144 LED (Max) 400 MH 2PLT42	18720					
		*Contact for other wattages	*Contact for custom	*Specify other			*Contact for other lengths	

Lens		Light Pattern		Options		Finishes	
CPL	Clear Polycarbonate Lens	U	Up Light (Std)	RB	Remote Driver/Ballast	BL	Black
OPL	Opal Polycarbonate Lens			PERF	Perforated Housing (Indoor)	WH	White
				WL	Wet Location Rated	SG	Silver Grey
				AEL	Quartz Restrike (Relay)	BZ	Bronze
				ELB	Electronic HID Ballast		
						*See finishes info on website	

✦ Lumens are based on Max Wattage and 5000K CCT

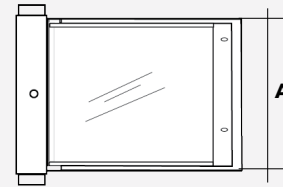
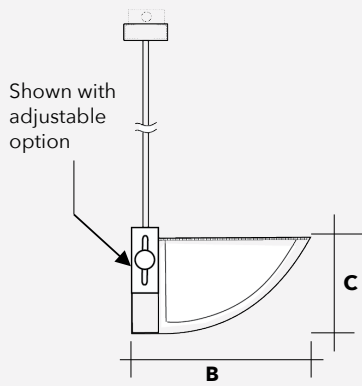
Std - Standard Offering

SIND-_____

Customization Notes:

►►► Info on this spec sheet will change without notice as product development is an ongoing process.

Dimensions & Mounting (drawings are not to scale)



SIND	A	B	C
SIND-S	9"	12"	12"
SIND-M	18"	18"	12"
SIND-L	28"	23"	12"

Polar Graph

