



<b>Date:</b>
<b>Type:</b>
<b>Project:</b>



**SCTL - POST TOP/POLE MOUNT**

**DESCRIPTION:**

The SCTL is constructed of cast aluminum. Globes are supplied standard in opal acrylic but can be made available with polycarbonate lenses.

Name	Lamping		Lumens (▼)	Color Temp	Electrical		Mounting	
SCTL-14	SCTL-14	36 LED (Max)	4680	3000K	UNV	120-277V	PT3	Post top slips over 3" dia pole
SCTL-22	SCTL-22	60 LED (Max) PLT57 150 HPS 175 MH	7800	4000K	HLV	347-480V	PT4	Post top slips over 4" dia pole
				5000K	TT	Tri-Tap (HID)		
					MT	Multi-Tap (HID)		
	*Contact for other wattages		*Contact for custom	*Specify other				

Lens		Light Pattern		Options		Finishes	
OAL	Opal Acrylic Lens (Std)	TY5	Type V (Std)	DM	0-10V Dimming	BL	Black
OPL	Opal Polycarbonate Lens	TY3	Type III	TP	Tamperproof Hardware	WH	White
				TS	Tamperproof Screwdriver	SG	Silver Grey
				LVR	Internal Louvers	BZ	Bronze
				PC	Button Photocell		
						*See finishes info on website	

✦ Lumens are based on Max Wattage and 5000K CCT

▼ Lumens are for SCTL-22

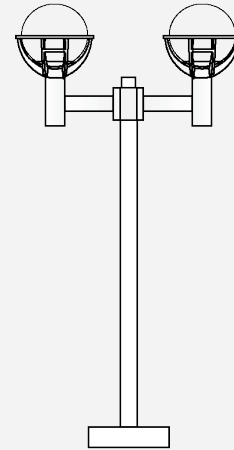
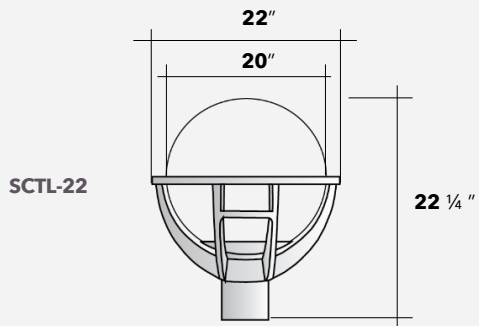
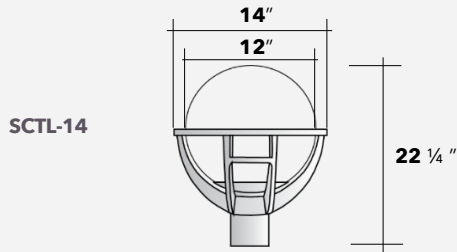
Std - Standard Offering

SCTL- \_\_\_\_\_ - \_\_\_\_\_ - \_\_\_\_\_ - \_\_\_\_\_ - \_\_\_\_\_ - \_\_\_\_\_ - \_\_\_\_\_ - \_\_\_\_\_

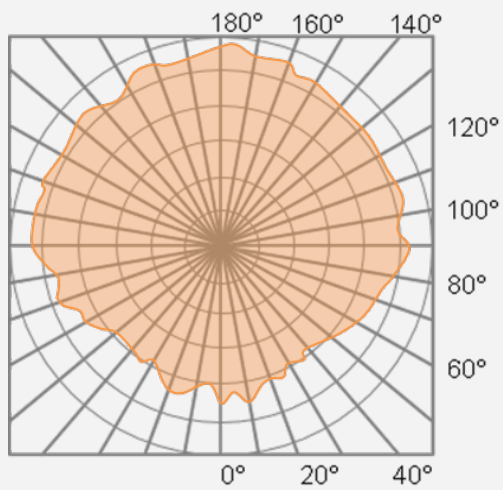
**Customization Notes:**

▶▶▶ Info on this spec sheet will change without notice as product development is an ongoing process.

### Dimensions & Mounting (drawings are not to scale)



### Polar Graph



TYPE V