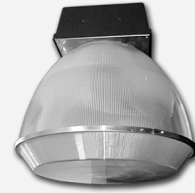


Date:
Type:
Project:



SPSB - PENDANT

DESCRIPTION:

Die cast aluminum housing with prismatic acrylic refractor.

Name	Lamping		Lumens	Color Temp		Electrical		Mounting
SPSB-16	16	72 LED (Max) 250HPS 42PLT	9795	3000K	UNV	120-277V	3C	3' Cab Tire with Hook (Std)
SPSB-22				4000K	HLV	347-480V	P48	48" Pendant Stem
SPSB-25				5000K			AC48	48" Aircraft Cable
	22	144 LED (Max) 400MH 400HPS	17300					
	25	180 LED (Max)	21625					
		*Contact for other wattages		*Contact for custom	*Specify other	*Contact for other lengths		

Lens		Light Pattern		Options		Finishes		
CAL	Conical Acrylic Lens (Std)	D	Down Light	RB	Remote Ballast/Driver	BL	Black	
CG	Clear Glass Lens			SF	Single Fuse	WH	White	
FG	Frosted Glass Lens			WG	Wire Guard	SG	Silver Grey	
LBA	Low Bay Acrylic Lens			ELB	Electronic HID Ballast	BZ	Bronze	
O	Open Bottom			AEL	Quartz Restrike			
				SV	Swivel Canopy			
				SC	Safety Chain			
				DM	0-10V Dimming			
							*See finishes info on website	

✦ Lumens are based on Max Wattage and 5000K CCT

Std - Standard Offering

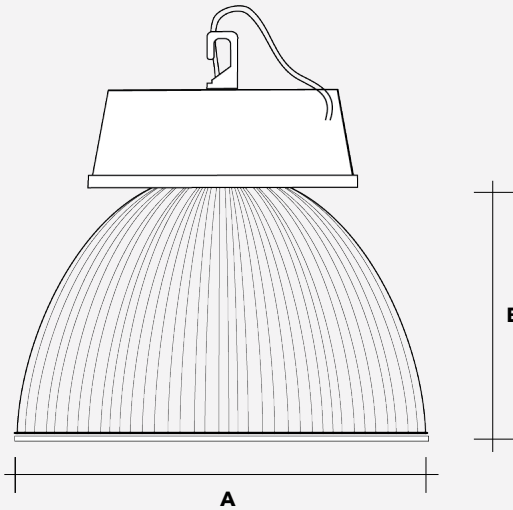
SPSB - _____

Customization Notes:

▶▶▶ Info on this spec sheet will change without notice as product development is an ongoing process.



Dimensions & Mounting (drawings are not to scale)



	A	B
SPSB-16	16"	10 1/4"
SPSB-22	22"	12"
SPSB-25	25"	12"

Polar Graph

