

Date:
Type:
Project:



SAT-S - CEILING MOUNT

DESCRIPTION:

Extruded aluminum lamping housing with three vertical trusses support upper and lower anti - glare shield rings. All stainless steel external hardware.

Name	Lamping	Lumens	Color Temp	Electrical		Mounting	
SAT-S	3W LED	428	3000K	UNV	120-277V	CM	Ceiling Mount
			4000K	HLV	347-480V		
			5000K				
	*Contact for other wattages	*Contact for custom	*Specify other				

Lens		Light Pattern		Options		Finishes		
CPL	Clear Polycarbonate Lens (Std)	D	Down Light	SAT-OS	Off-set Disk	BL	Black	
OPL	Opal Polycarbonate Lens			DM	0-10V Dimming	WH	White	
FL	Frosted Lens			DM1	1% Dimming	SG	Silver Grey	
PR	Prismatic Lens (K12)					BZ	Bronze	
						BA4	Brushed Aluminum	
							*See finishes brochure for custom	

✦ Lumens are based on Max Wattage and 5000K CCT

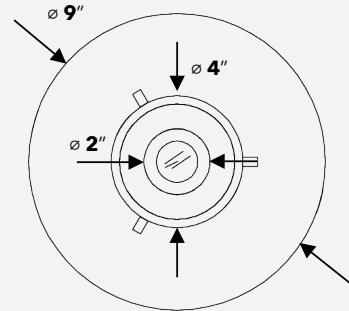
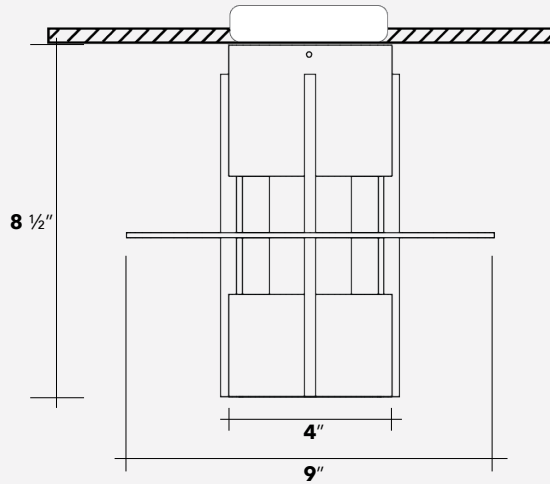
Std - Standard Offering

SAT-S - _____

Customization Notes:

▶▶▶ Info on this spec sheet will change without notice as product development is an ongoing process.

Dimensions & Mounting (drawings are not to scale)



Polar Graph

