



Date:
Type:
Project:



SABRE - PENDANT

DESCRIPTION:

Designed for interior spaces, the SABRE is able to add functional lighting to an area. Fabricated aluminum housing available with bi-pin holders for fluorescent lamps. All external hardware is stainless steel.

Name	Lamping	Lumens	Color Temp	Electrical		Mounting	
SABRE	60W LED (Max)	10560	3000K	UNV	120-277V	2AC	2 Aircraft cables mount to canopy
	2X28T5		4000K	HLV	347-480V		
			5000K				
	*Contact for other wattages		*Specify other		*Contact for other lengths		

Lens		Light Pattern		Options		Finishes	
OPL	Opal Acrylic Lens	EG	Encompassing Glow	DM	0-10V Dimming	BL	Black
				DM1	1% Dimming	WH	White
						SG	Silver Grey
						BZ	Bronze
						*See finishes info on website	

✦ Lumens are based on Max Wattage and 5000K CCT

Std - Standard Offering

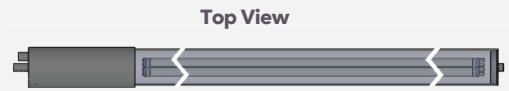
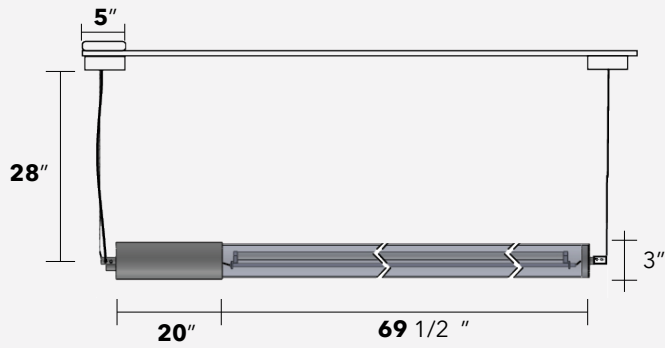
SABRE- _____ - _____ - _____ - _____ - _____ - _____ - _____ - _____

Customization Notes:

▶▶▶ Info on this spec sheet will change without notice as product development is an ongoing process.



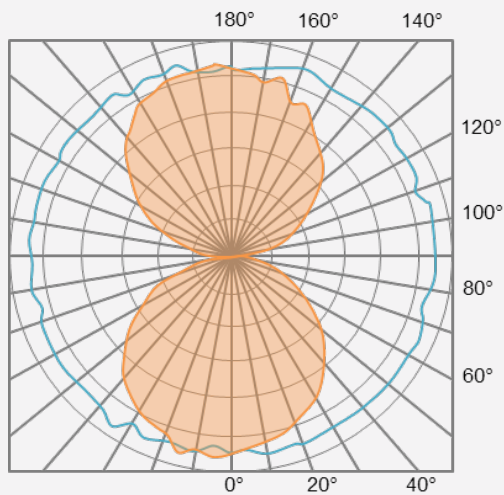
Dimensions & Mounting (drawings are not to scale)



Side View



Polar Graph



Encompassing Glow