



Date:
Type:
Project:



RXC-RWH - RECESSED

DESCRIPTION:

Die-cast aluminum housing. Hinged door cover. Clear lens is standard/. Select RXC for recessed in concrete, or RWH for recessed in T-Bar ceiling.

Name	Lamping	Lumens	Color Temp	Electrical		Mounting	
RXC	60 LED (Max)	6247	3000K	UNV	120-277V	RTC	Recessed in Concrete (RXC only)
RWH	150 MH		4000K	HLV	347-480V	RT	Recessed in T-Bar (RWH only)
	150 HPS		5000K	TT	Tri-Tap	RP	Recessed in Plaster (RWH only)
	PLT57			MT	Multi-Tap		
	*Contact for other wattages	*Contact for custom	*Specify other				

Lens		Light Pattern		Options		Finishes	
CG	Clear Glass Lens (Std)	D	Down Light (Std)	TP	Tamperproof Hardware	BL	Black
PG	Prismatic Glass Lens			TS	Tamperproof Screwdriver	WH	White
				PC	Button Photocell	SG	Silver Grey
				SF	Single Fuse	BZ	Bronze
				EM	Emergency Battery		
				DM	0-10V Dimming		
				DM1	1% Dimming		
							*See finishes info on website

✦ Lumens are based on Max Wattage and 5000K CCT

Std- Standard Offering

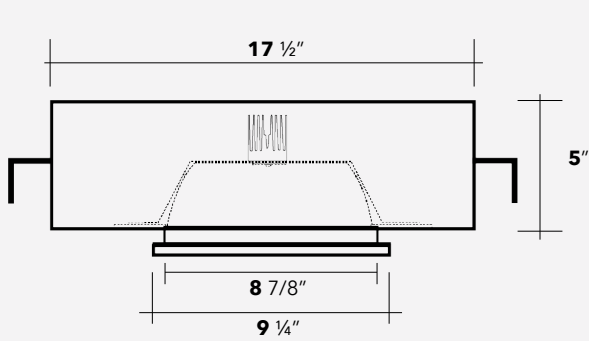
RXC- _____

RWH- _____

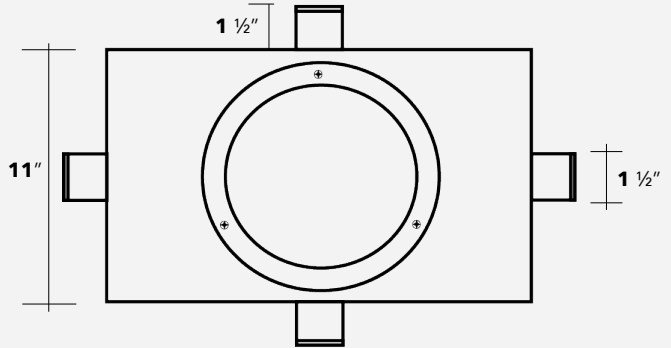
Customization Notes:

▶▶▶ Info on this spec sheet will change without notice as product development is an ongoing process.

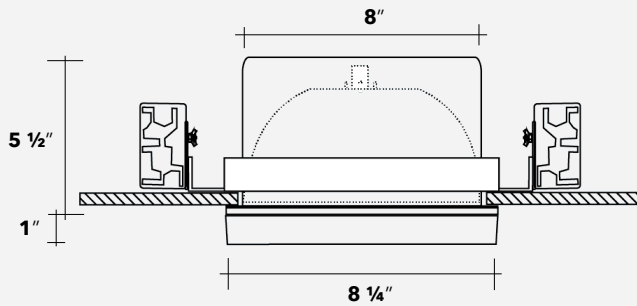
Dimensions & Mounting (drawings are not to scale)



RXC - side view

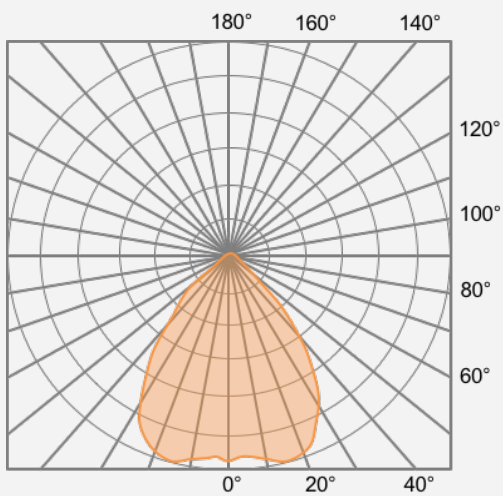


RXC - bottom view



RWH - Side View

Polar Graph



Down Light