



Date
Quote #
Project Name
Type



RLA - Wall Mount

Description:

RLA is ideal for adding accent lighting to building exteriors. Bullet lens is standard. All external hardware is stainless-steel.

Name	Engine	Lumens	CCT	Electrical	Mounting	Lens	Pattern	Options	Finish
<input type="text"/>	<input type="text"/>	<input type="text"/>	<input type="text"/>	<input type="text"/>	<input type="text"/>	<input type="text"/>	<input type="text"/>	<input type="text"/>	<input type="text"/>

Name	Light Engine	Source Lumens _{(LED)(5000K)}	Color Temp	Electrical
RLA-9	9	14W LED (Max)	3000K	UNV 120-277V
RLA-12	12	20W LED (Max)	3500K 4000K 5000K	HLV 347-480V

Mounting		Lens		Light Pattern		Options		Finishes	
E2B	E2 bracket arm (Std)	CGB	Clear bullet lens (Std)	D	Down light	SF	Single fuse	Standard	
		PGB	Prismatic bullet lens			WL	Wet location	BL	Black
						WG	Wire guard	WH	White
						RB	Remote ballast/driver	SG	Silver Grey
								BZ	Bronze
								Custom	
								CC	Custom Color
									See website for custom colors. Contact factory for physical samples.

- Lumens are based on max wattage & 5000K CCT
- IES files available upon request
- Std - Standard Offering

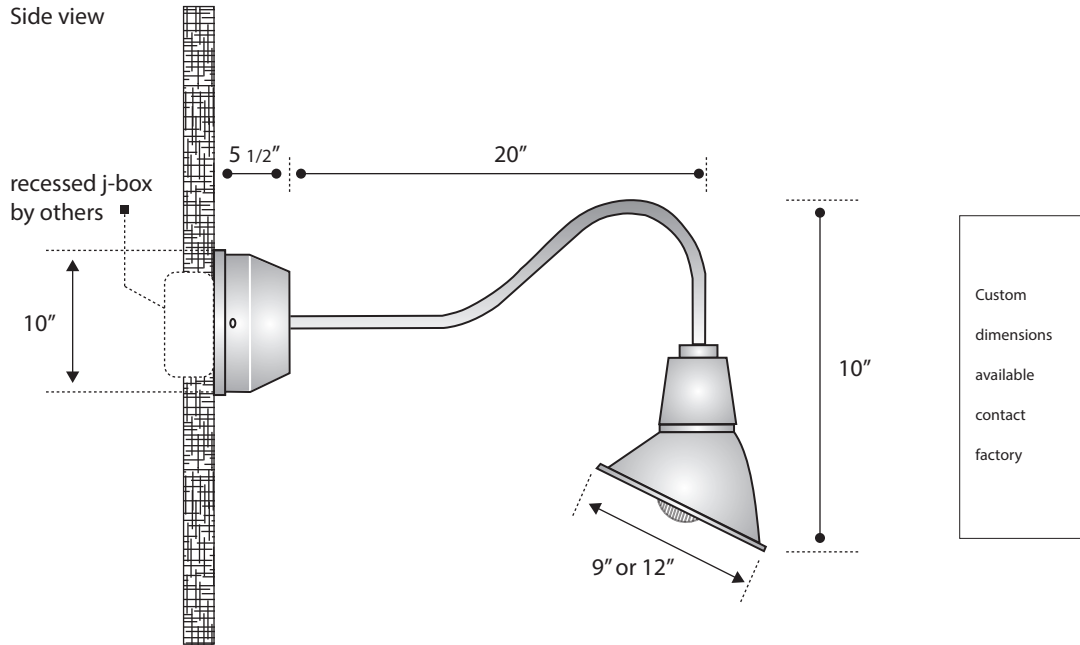




Dimensions & Mounting:

Please note that drawings are not to scale.

Side view



Listing:

Complies to CSA and UL standards.

Polar Graph:

